

Spectrum Analyzer

GSP-730

QUICK START GUIDE

GW INSTEK PART NO. 82SP-73000Mo1



ISO-9001 CERTIFIED MANUFACTURER

GW INSTEK

This manual contains proprietary information, which is protected by copyright. All rights are reserved. No part of this manual may be photocopied, reproduced or translated to another language without prior written consent of Good Will Corporation.

The information in this manual was correct at the time of printing. However, Good Will continues to improve its products and therefore reserves the right to change the specifications, equipment, and maintenance procedures at any time without notice.

Good Will Instrument Co., Ltd. No. 7-1, Jhongsing Rd., Tucheng Dist., New Taipei City 236, Taiwan.

SAFETY INSTRUCTIONS

This section contains the basic safety symbols that may appear on the accompanying user manual CD or on the instrument. For detailed safety instructions and precautions, please see the Safety Instructions chapter in the user manual CD.

Safety Symbols

These safety symbols may appear in the user manual or on the instrument.



Warning

Warning: Identifies conditions or practices that could result in injury or loss of life.



Caution

Caution: Identifies conditions or practices that could result in damage to the instrument or to other properties.



DANGER High Voltage



Attention Refer to the Manual



Protective Conductor Terminal



Earth (ground) Terminal



Do not dispose electronic equipment as unsorted municipal waste. Please use a separate collection facility or contact the supplier from which this instrument was purchased.

Power Cord for the United Kingdom

When using the instrument in the United Kingdom, make sure the power cord meets the following safety instructions.

NOTE: This lead/appliance must only be wired by competent persons.




WARNING: THIS APPLIANCE MUST BE EARTHED
IMPORTANT: The wires in this lead are coloured in accordance with the following code:

Green/ Yellow: Earth
Blue: Neutral
Brown: Live (Phase)



As the colours of the wires in main leads may not correspond with the coloured marking identified in your plug/appliance, proceed as follows:

The wire which is coloured Green & Yellow must be connected to the Earth terminal marked with either the letter E, the earth symbol  or coloured Green/Green & Yellow.

The wire which is coloured Blue must be connected to the terminal which is marked with the letter N or coloured Blue or Black.

The wire which is coloured Brown must be connected to the terminal marked with the letter L or P or coloured Brown or Red.

If in doubt, consult the instructions provided with the equipment or contact the supplier.

This cable/appliance should be protected by a suitably rated and approved HBC mains fuse: refer to the rating information on the equipment and/or user instructions for details. As a guide, a cable of 0.75mm² should be protected by a 3A or 5A fuse. Larger conductors would normally require 13A types, depending on the connection method used.

Any exposed wiring from a cable, plug or connection that is engaged in a live socket is extremely hazardous. If a cable or plug is deemed hazardous, turn off the mains power and remove the cable, any fuses and fuse assemblies. All hazardous wiring must be immediately destroyed and replaced in accordance to the above standard.

GETTING STARTED

This chapter provides a brief overview of the GSP-730, the package contents, instructions for first time use and an introduction to the front panel, rear panel and GUI.

Main Features

Performance	<ul style="list-style-type: none">• 150kHz~3GHz bandwidth• 100kHz resolution
Features	<ul style="list-style-type: none">• Autoset with automatic floor level and span.• Marker table function• Limit line testing• Split window display• ACPR measurement• OCBW measurement• Automatic resolution bandwidth mode.
Interface	<ul style="list-style-type: none">• 480x640 color LCD display• On-screen menu icons• VGA video output• RS-232C• USB 2.0 Host port for data storage• USB 2.0 Device port for the virtual com port communication

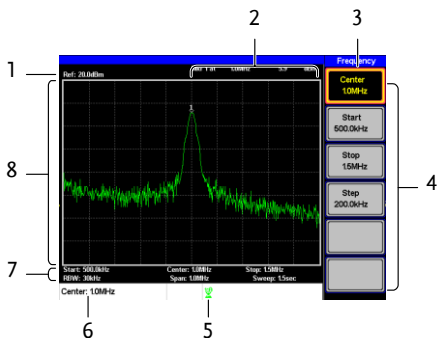
Package Contents

Please check the package contents to ensure you have all of the following items:

Part Number	Description
82SP-73000E01	User Manual CD
82SP-73000M01	Quick Start Guide (this document)
Region Dep.	Power cord x1 Cal. Certificate

Display and Panel Overview

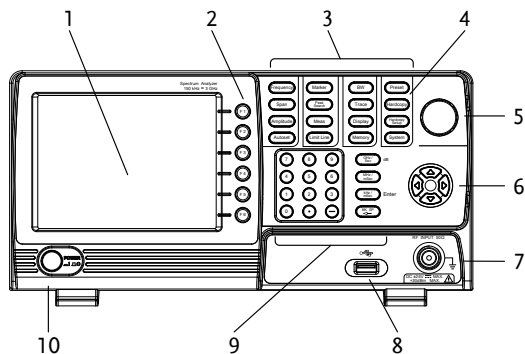
Display Overview



Description

- | | |
|--------------------------------------|------------------------|
| 1. Reference level | 2. Marker information |
| 3. Function menu | 4. Soft menu keys |
| 5. Trace icons | 6. Entry/Message area |
| 7. Frequency /
Bandwidth settings | 8. Trace and waveforms |

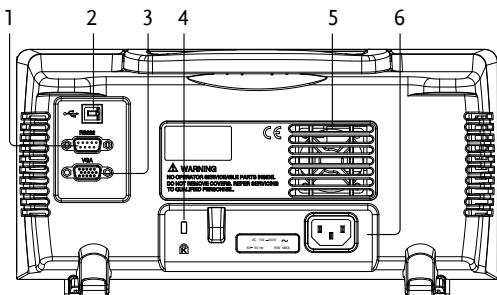
Front Panel



Description

- | | |
|-------------------------|------------------|
| 1. LCD display | 2. Function keys |
| 3. Menu keys | 4. Hardcopy key |
| 5. Scroll wheel | 6. Arrow keys |
| 7. RF terminal input | 8. USB A port |
| 9. Keypad and unit keys | 10. Power button |

Rear Panel



Description

- | | |
|----------------|------------------|
| 1. RS-232 port | 2. USB B port |
| 3. VGA output | 4. Security slot |
| 5. Fan | 6. Power socket |

First Time Use Instructions

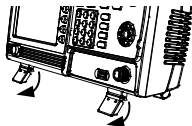
Use the procedures below when first using the GSP-730 to tilt the stand, power up the instrument, update the firmware and restore the unit back to the default settings. Lastly, the Conventions sections will introduce you to the basic operating conventions used throughout the user manual. For further details, please see the user manual.

Tilting the Stand

The GSP-730 has two adjustable tabs at the front that can be used to position the instrument into two preset orientations.

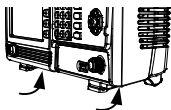
Leaning position:

Set the tabs down to have the GSP-730 leaning backward.



Upright Position:

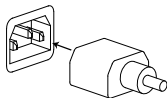
Set the tabs flat to have the GSP-730 in an upright position.



Power Up and Down

Power Up:

1. Insert the AC power cord into the power socket.



2. Press the power button to turn the GSP-730 on.



Power Down:

Press the power button to power down.

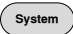


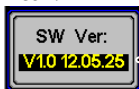
Software Update

The GSP-730 allows the software to be updated by end-users. Before using the GSP-730, please check the GW Instek website or ask your local distributor for the latest software.

The update file, MAIN1.BIN, must be placed in the root directory of a USB flash drive.

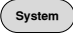
System Version:

1. Press  > *Information*[F4].
2. The system version is displayed on the *SW Ver*[F4] icon.



Software version

Update Software:

1. Place the update file, MAIN1.BIN, into the root directory of a USB flash drive.
2. Insert the USB flash drive into the USB port on the front panel.
3. Press  > *Update From USB Flash*[F5].
4. Press *Update Now*[F3] to execute the update process.
 - *When the message "Programmed Successful" is displayed, the software has completed the update.*
5. Reboot the system when the update procedure has finished by cycling the power button.
6. Check the software version again to confirm the update procedure.

USB Driver Installation

If the type B USB port on the rear panel is to be used for remote control, then the USB driver must be installed. The USB driver is located in the CD that accompanied this manual.

Driver Installation:

1. Ensure the GSP-730 is turned on.
2. Connect the USB cable from the PC to the rear panel USB B port.
3. Windows will automatically detect the GSP-730 as a new device.
4. Follow the instructions to locate the driver on the accompanying CD and install the driver.
5. To see if the driver has been successfully installed, you can check to see if the GSP-730 is recognized by the Windows Device Manager when the GSP-730 is connected to the PC.
6. In Windows XP go to: Start>Control Panel>Device Manager.
7. The GSP-730 should be shown under the Ports (COM & LPT) node:



- *If the USB driver installation fails, you can try to manually install the driver by right clicking on the **AT91 USBSerial** icon and selecting the **Install** option.*

Restoring Default Settings

The factory default settings can be easily restored using the Preset key on the front panel. The default settings cannot be changed. See the user manual for a list of the factory default settings.

Restore Default Settings:

Press  .

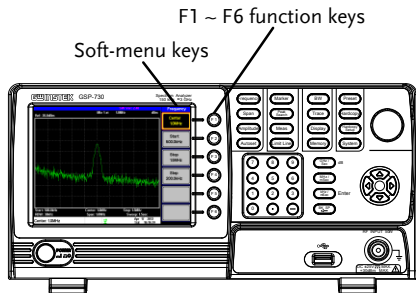
- *The spectrum analyzer will load the default factory settings.*

Conventions

The following conventions are used throughout the user manual. Read the conventions below for a basic grasp of how to operate the GSP-730 menu system and front panel keys.

Soft Menu keys:

The F1 to F6 function keys on the right side of the display correspond directly to the soft-menu keys on their left.



Input Parameter Values:



Ref. Level
20.0dBm

Selecting this type of menu key will allow you to enter a new value with the numeric keypad or increment/decrement the value using the scroll wheel or number pad. See the parameter input description below for more details.

Toggle State:



Scale
10 5 2 1

Pressing this menu key will toggle the state. Notice that any soft-menu key that can be toggled will have the active parameter underlined.

Toggle State & Input Parameter:



Display Line
-50dBm OFF

Pressing this menu key will allow you to toggle the state of the function between on and off. When in the on-state, the parameter value can be manually edited. Use the numeric keypad to enter the new value or use the scroll wheel to increment/decrement the current value. Again, the setting that is underlined is the active setting.

Sub Menu:



More

Pressing the More menu key will enter a submenu.

Sub Menu to select parameter



Units ...
dBm

Pressing this type of menu key will enter a submenu to select a parameter.

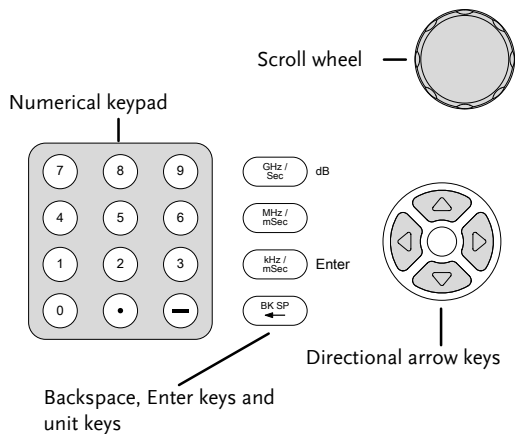
Active Function:



Pressing this type of menu key will activate that function. The menu key will be highlighted to show it is the active function.

Parameter Input

Parameter values can be entered using the numeric keypad, the scroll wheel and the arrow keys.



Using the numeric keypad:

When prompted to enter a parameter, use the number keys (0~9), the decimal key (.) and the minus key (-) to enter a value. After a value has been entered, the unit keys can be used to select the units.

The value of the parameter is shown at the bottom of the screen as it is edited.



Edited parameter

Back Space:

Use the backspace key to delete the last character or number entered.

Using the scroll wheel:

Use the scroll wheel to alter the current value. Clockwise increases the value, anti-clockwise decreases the value. The scroll wheel is usually used for values that highly variable, such as the center frequency settings.

Directional arrows:

Use the directional arrows to select discrete parameters or to alter values by a coarser resolution than the scroll wheel. Left/down decreases the value, right/up increases the value. The directional arrows are usually used for values that are of a discrete nature, such as selecting a memory location.

SPECIFICATIONS

The specifications apply when the GSP is powered on for at least 30 minutes under +20°C~+30°C.

Frequency Specifications

Frequency Range

Setting Range	150kHz to 3GHz
---------------	----------------

Center Frequency

Setting Resolution	0.1MHz
--------------------	--------

Accuracy	within $\pm 50\text{kHz}$ (frequency span : 0.3GHz to 2.6GHz, 20 $\pm 5^\circ\text{C}$)
----------	---

Frequency Span

Setting range	1MHz to 3GHz
---------------	--------------

Accuracy	within $\pm 3\%$ (frequency span : 0.3GHz to 2.6GHz, 20 $\pm 5^\circ\text{C}$)
----------	--

Resolution Bandwidth

Setting Range	30KHz, 100KHz, 300KHz, 1MHz, nominal -3dB bandwidth
---------------	---

SBB Phase Noise

-85dBc / Hz (typical, 500kHz offset, RBW : 30kHz, Sweep time : 1.5s, Span:1MHz@1GHz)

Inherent Spurious Response

less than -45dBc @ -40dBm Ref. Level (typical less than -50dBc)
--

Amplitude Specifications

Reference Level

Input Range	+20 to -40dBm
Accuracy	Within ± 2 dB (1GHz);SPAN:5MHz
Unit	dBm, dBV, dB μ V

Average Noise Level

≤ -100 dBm
(typical, center frequency : 1GHz RBW : 30kHz)

Frequency Characteristics

within ± 3.0 dB @300MHz~2.6GHz,
within ± 6.0 dB @ 80~300MHz, 2.6~3GHz

Input

Input Impedance	50ohm, nominal
Input VSWR	less than 2.0@input att ≥ 10 dB
Input damage level	+30dBm (CW average power), 25VDC
Input connector	N connector

Sweep Specifications

Sweep Time

Range	300ms to 8.4s, auto (not adjustable)
Accuracy	within $\pm 2\%$ (frequency span : full span)

General Specifications

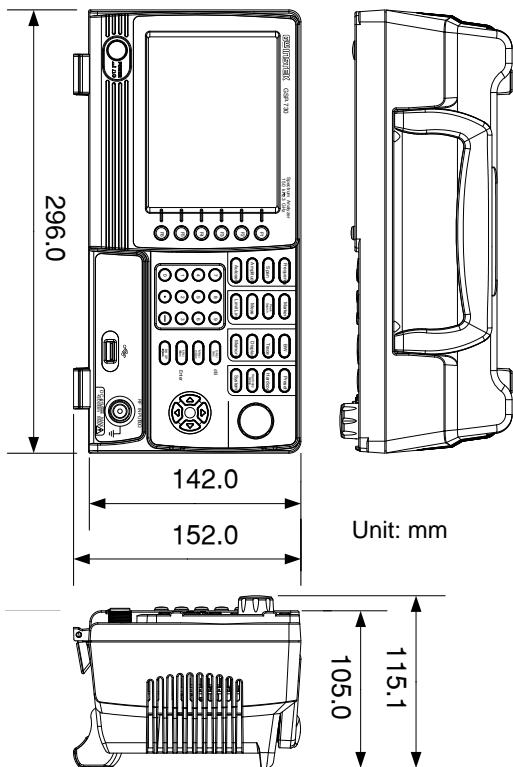
Interface

RS-232C	Sub-D female-D 9 pins
USB Connector	USB Host/Device full speed supported
VGA Output	Sub-D female 15 pins
Display	640*480 RGB color LCD

Other Specifications

Operating Temperature	5 to 45°C (Guaranteed at 25 ±5°C, without soft carrying case)
Operating Humidity	less than 45°C / 90%RH
Storage Temperature	-20 to 60°C, less than 60°C / 70%RH
Dimensions	296 (L) × 153 (W) × 105 (H) mm
Weight	Approx. 2.2kg
Power Source	AC 100~240V, 50/60Hz

Dimensions



EC Declaration of Conformity

We

GOOD WILL INSTRUMENT CO., LTD.

No.7-1, Jhongsing Rd., Tucheng Dist., New Taipei City 236,
Taiwan

GOOD WILL INSTRUMENT (SUZHOU) CO., LTD.

No. 69, Lushan Road, Suzhou New District Jiangsu, China
declares that the below mentioned product:

GSP-730

Is herewith confirmed to comply with the requirements set out in the Council Directive on the Approximation of the Law of Member States relating to Electromagnetic Compatibility (2004/108/EC) and Low Voltage Equipment Directive (2006/95/EC). For the evaluation regarding the Electromagnetic Compatibility and Low Voltage Equipment Directive, the following standards were applied:

© EMC

EN 61326-1: EN 61326-2-1: EN 61326-2-2:	Electrical equipment for measurement, control and laboratory use — EMC requirements (2006)
Conducted and Radiated Emissions EN 55011: 2009+A1: 2010	Electrostatic Discharge EN 61000-4-2: 2009
Current Harmonic EN 61000-3-2: 2006+A1: 2009+A2: 2009	Radiated Immunity EN 61000-4-3: 2006+A1: 2008+A2 :2010
Voltage Fluctuation EN 61000-3-3: 2008	Electrical Fast Transients EN 61000-4-4: 2004+A1: 2010
-----	Surge Immunity EN 61000-4-5: 2006
-----	Conducted Susceptibility EN 61000-4-6: 2009
-----	Power Frequency Magnetic Field EN 61000-4-8: 2010
-----	Voltage Dip/ Interruption EN 61000-4-11: 2004

© Safety

Low Voltage Equipment Directive 2006/95/EEC
Safety Requirements: EN 61010-1: 2010, EN 61010-2-030: 2010