

Z550A

Test Probe for Remote Triggering

 3-349-680-15
 3/9.15

Application

The test probe with integrated control module allows for remote triggering in areas with difficult access or in situations which require your full attention. Poorly lit measuring points can be illuminated with the integrated test probe lighting. The connection cable is shielded from interfering influences.

Safety Precautions



Attention!

Use the test probe for remote triggering only with measuring instruments and testers of the following series: PROFITEST INTRO, METRISO INTRO, BASE, TECH, PRO, XTRA*, METRISO G500MM, G500, G1000, G1000A, G1000+*.

* application not useful for measuring functions PI and DAR

Use the test probe only for applications which are described in the operating instructions of your measuring instrument. Make certain that the measurement cables are in flawless condition, e.g. no damage to insulation, no interruptions in cables or plugs etc.

In conformity with standard DIN EN 61010-031, measurements in an environment according to measuring category III or IV may only be performed with the safety cap applied to the test probe of the control module.

For establishing contact in 4 mm jacks you have to remove the safety caps by levering out the snap lock of the safety cap with another sharp object (e.g. the second test probe).



Attention!

Please also observe the safety instructions given in the operating manual of your insulation and resistance measuring instrument.

Electrical Safety

Maximum rated voltage	600 V	1000 V	1000 V
Measuring category	CAT IV	CAT III	CAT II
Maximum rated current	1 A	1 A	16 A
with safety cap applied	•	•	—
without safety cap applied	—	—	•

Meaning of the Symbols

- Continuous, double insulation
- CAT II** Measurements performed on electrical circuits directly connected to the low-voltage system
- CAT III** Measurements in facility installations
- CAT IV** Measurements at the source of low-voltage installations

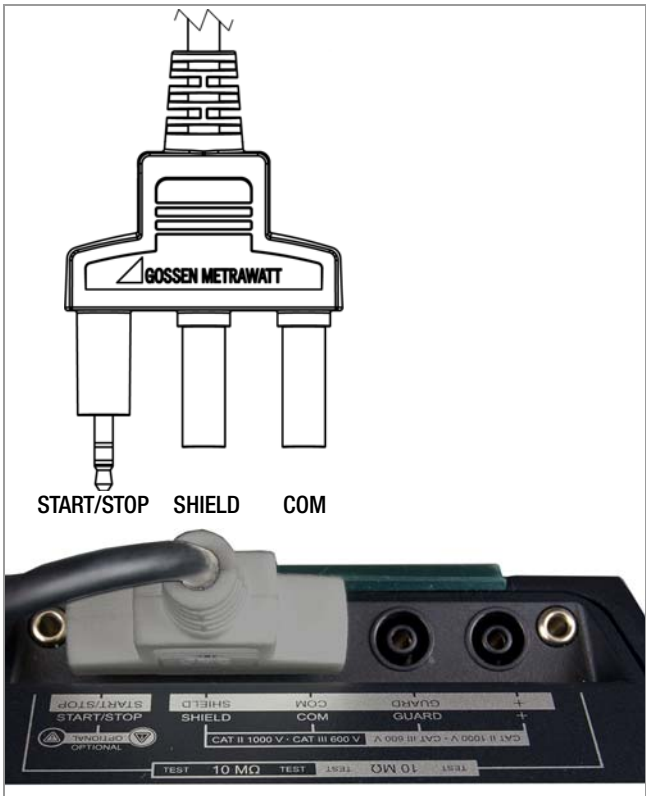
Ambient Conditions (EN 61010-031)

Temperature	−20 °C ... + 50 °C
Relative humidity	50 ... 80 %
Elevation	to 2000 m
Contamination degree	2

Mechanical Design

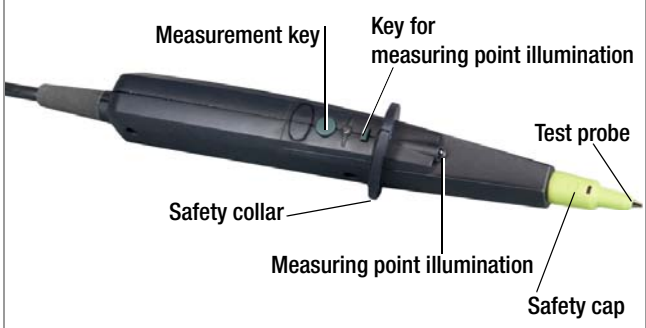
Weight	160 g (control module including cable and connector plug)
free cable length	1.20 m

Connection



When inserting the 3-pole plug (highlighted in white on the picture above), make sure that the jack plug is inserted in the START/STOP position. Press and align the 3-pole plug such that it is placed flush on the connection terminal. This is the only way to assure that the three contacts of the jack plug are properly connected with the command cables.

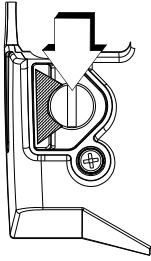
Operation



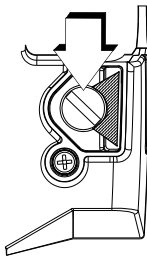
- Before starting remote triggering via the measurement key, the measuring functions and ranges at your insulation measuring instrument must be set.
- Contact the measuring point.
- For measuring, press and hold the measurement key until the measured value display at the tester is stable.
- For completing the measurement, release the key again. As long as you continue contacting the DUT, the DUT is discharged via the insulation resistance measuring instrument.
- The measuring point illumination can be activated with the rectangular key located right below the safety collar.

Mounting of Test Probe Holders at the carrying belt

- 1** Remove belt from the test instrument:
Loosen slotted screws (M3)
at the bottom

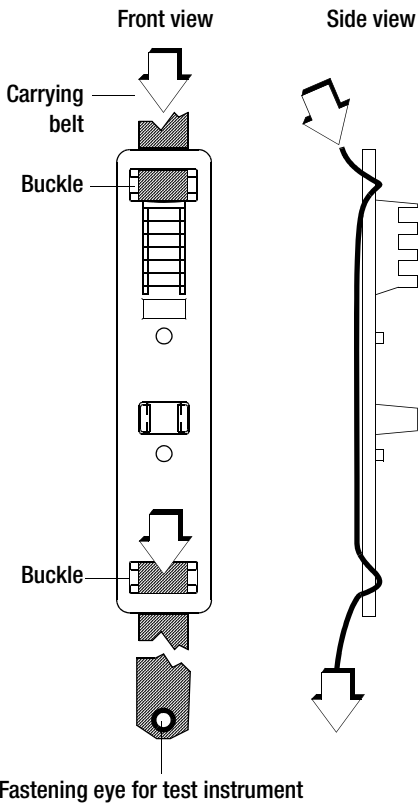


Bottom left

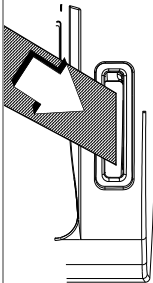


Bottom right

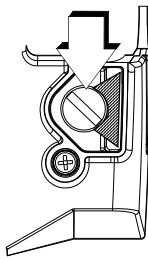
- 2** Thread belt through test probe holder
Example of carrying belt for test probe
without remote triggering



- 3** Thread belt through the front of the test
instrument and fix it at the bottom
with the slotted screw (M3)



Front view



Bottom view

Example of fixed test probes at the carrying belt



Device Return and Environmentally Compatible Disposal

The test probe is a category 9 product (monitoring and control instrument) in accordance with ElektroG (German Electrical and Electronic Device Law). This device is subject to the RoHS directive. Furthermore, we make reference to the fact that the current status in this regard can be accessed on the Internet at www.gossenmetrawatt.com by entering the search term WEEE.

We identify our electrical and electronic devices in accordance with WEEE 2012/19/EU and ElektroG with the symbol shown to the right per DIN EN 50419. These devices may not be disposed of with the trash. Please contact our service department regarding the return of old devices.



Edited in Germany • Subject to change without notice • A pdf version is available on the internet

 **GOSSEN METRAWATT**
GMC-I Messtechnik GmbH
Südwestpark 15
90449 Nürnberg • Germany

Phone +49 911 8602-111
Fax +49 911 8602-777
E-Mail info@gossenmetrawatt.com
www.gossenmetrawatt.com