

HDO8000 Rackmount Accessory

Thank you for purchasing a Teledyne LeCroy HDO8000 Rackmount accessory. Please review these instructions before installing the rackmount.

Parts

The rackmount kit is shipped with the following parts. Contact us if parts are missing.

Parts	QTY
Mounting brackets with attached handles	2
M4x20 flat-head Phillips screws (for brackets)	6

Note: The kit does *not* include the fasteners needed to attach the rackmount to your equipment rack. Consult your rack manufacturer regarding the appropriate type, size, and number of fasteners to install the rackmount securely.

Tools

You will need a Phillips-head screwdriver to attach the rackmount to the HDO8000.

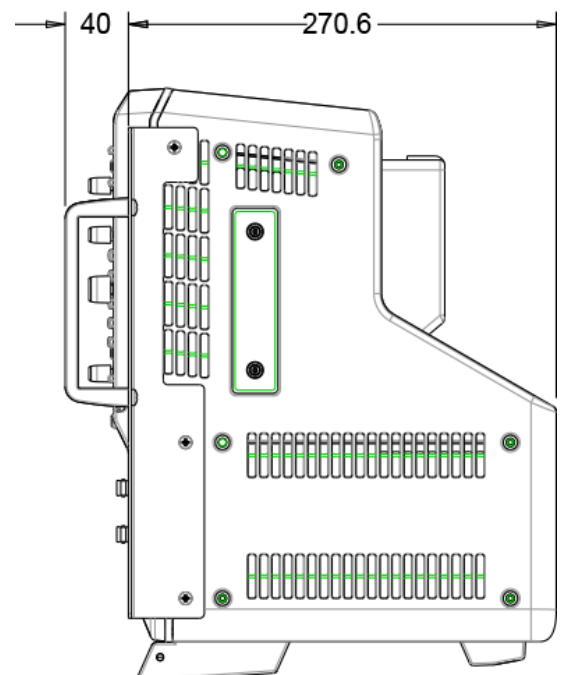
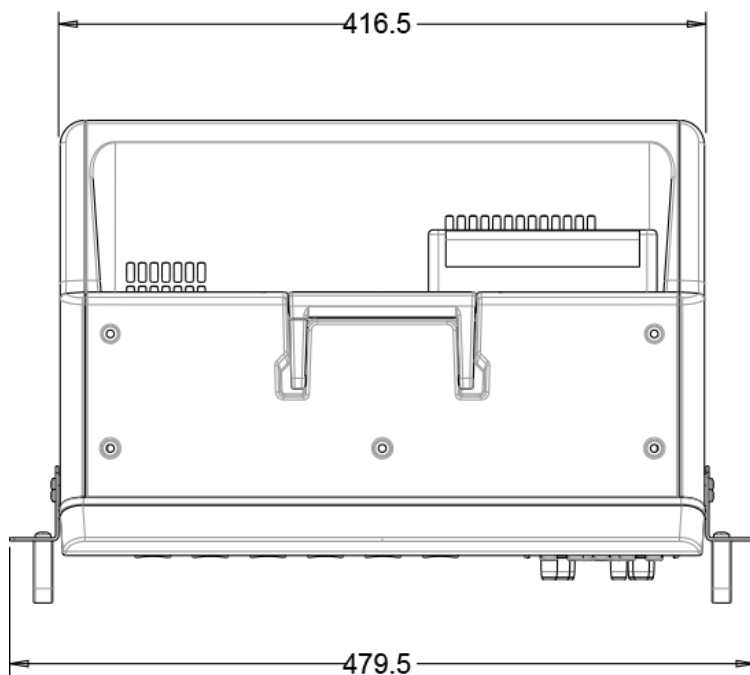
Dimensions

Weight of instrument, uninstalled: 26.8 lbs [12.2 kg]

Weight of rackmount, uninstalled: 1.5 lbs [0.7 kg]

Width, installed: 479.5 cm

Depth, installed: 310.6 cm

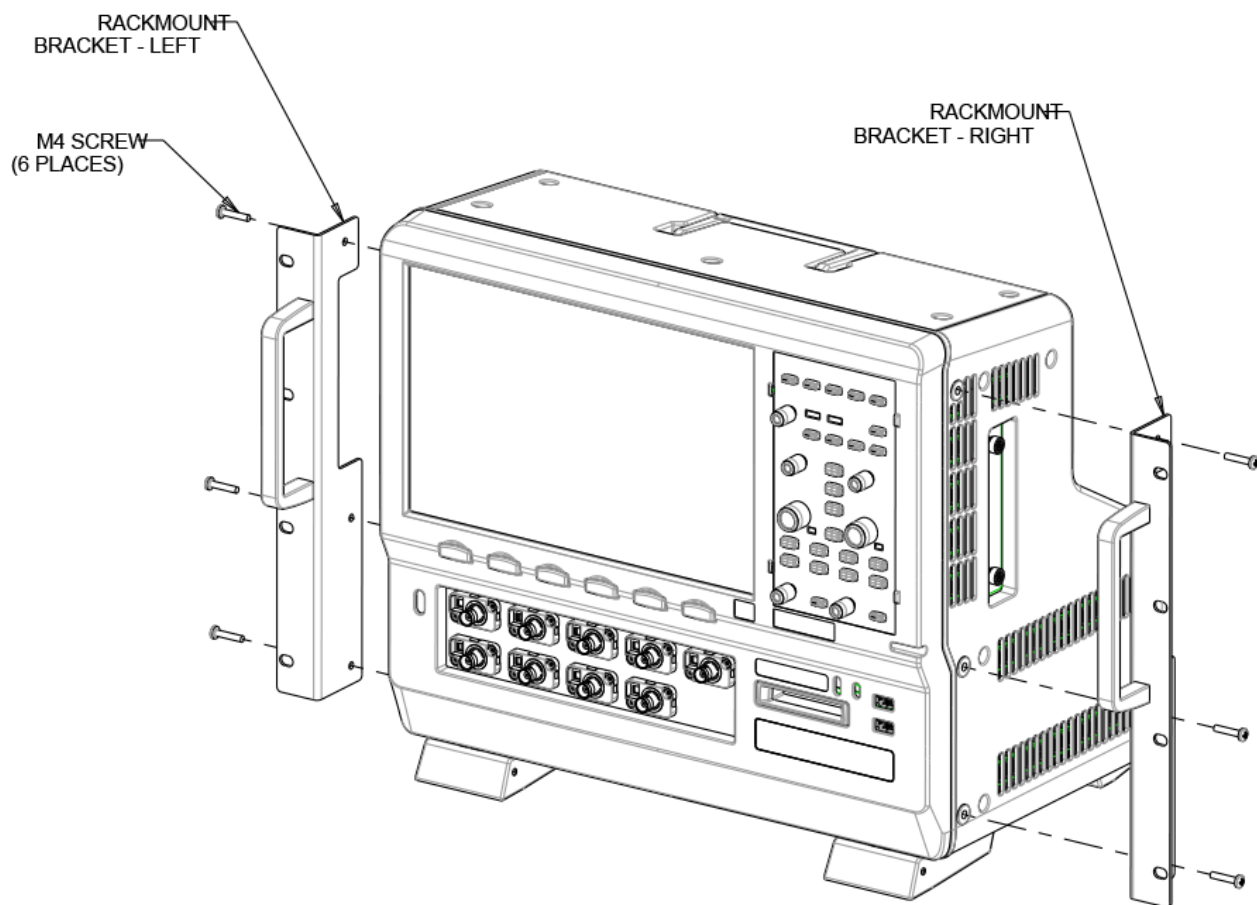


Installation

1. Position the left bracket so that the screw holes align with the three holes on the side of the HDO8000. The handle should be facing toward the front of the unit.

Note: The left and right brackets are not interchangeable. The holes should only line up correctly with the handles facing forward.

2. Use three of the M4x20 screws included with the rackmount kit to attach the left bracket to the oscilloscope body.
3. Install the right bracket in the same manner as the left.
4. With the brackets securely fastened to the unit, install the HDO8000 into a rack following the manufacturer's specifications.



© 2014 Teledyne LeCroy, Inc. All rights reserved.

HDO8000 and Teledyne LeCroy are trademarks of Teledyne LeCroy, Inc. Other product or brand names are trademarks or requested trademarks of their respective holders. Information in this publication supersedes all earlier versions. Specifications are subject to change without notice.

August, 2014