



PURPOSE

The basic part of the installation set MEg40+/S1 is the Universal energy meter MEg40+/S1, which is together with a three-pole disconnect switch of measured voltages, a terminal connecting for the neutral conductor and short-circuitable current terminals installed on a DIN rail TC35. The installation set is intended to speed up installation of the instrument MEg40+/S1 into already running LV switchgear assemblies, which are not prepared for installation of a panel instrument and are not equipped with standard instrument current transformers. The currents are measured by the SMART split core instrument transformers PTD with the secondary current 20 mA.

The instruments MEg40+/S1 are used standardly with the SMART instrument transformers PTD with the following nominal currents:

- 200 A, for DTS transformers up to 100 kW, 150 kW max.
- 400 A, for DTS transformers up to 250 kW, 300 kW max.
- 600 A, for DTS transformers up to 400 kW, 450 kW max.
- 900 A, for DTS transformers up to 630 kW.

The advantage of the installation set is possible subsequent handling in DTS measurement circuits without limitation of the operation of the LV box.

The installation set MEg40+/S1 has no protection against direct contact with hazardous-live-part, and therefore it may be installed only into closed switchgear assemblies, into which only skilled persons have access.

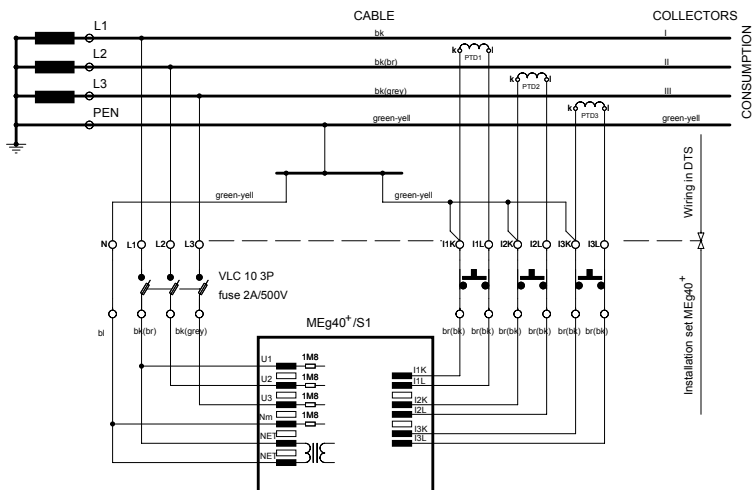
TECHNICAL PARAMETERS

Dimensions:	300 × 122 × 106 mm
Weight:	1.25 kg
Nominal measured voltage U_{nom} :	230 V
Measuring voltage range:	0 V – 290 V
Nominal measured current I_{nom} :	200 A, 400 A, 600 A, 900 A ^{1) 2)}
Measuring current range:	$1.2 I_{nom}$
Measurement category:	IV, ČSN EN61010-1, $U_{nom} = 230 V$
Supply voltage:	230 V + 10 %, -30 %, 5 VA, 50 Hz
Pollution degree:	2
Operating temperature:	-25 °C to +55 °C
Ingress protection rating:	IP00
Relative humidity:	20 % až 90 % at 40 °C
Connecting cross-section of VLC 10 3P disconnect switch:	Cu/0.5 – 25 mm ²
Cylindrical fuses in VLC 10 3P disconnect switch:	PV 10 2A gG
Connecting cross-section of RSA 6 terminal:	Cu/0.75 – 8 mm ²
Max. number of wires connected to RSA 6 terminal:	3 × (0.75 – 1.5) mm ²
RSA 6 socket recommended length:	10 mm

¹⁾ According to the primary current of the SMART split core instrument transformer PTD

²⁾ Upon special request, SMART split core transformers PTD with $I_{nom} = 100 A, 300 A$ and $500 A$ are available.

Wiring of the installation set MEg40⁺/S1



Manufacturer

MEGA – Měřící Energetické Aparáty, a.s., 664 31 Česká 390, Czech Republic
tel. +420 545 214 988, e-mail: mega@e-mega.cz, www.e-mega.cz

Edition: 03/2012