

METREL MD 9225
Most Complete Industrial TRMS AC/DC
Current Clamp Meter



MD 9225
User Manual
Bedienungsanleitung
Version 1.1, Code no. 20 752 001

Distributor:

METREL d.d.

Ljubljanska cesta 77
1354 Horjul
Slovenia
e-mail: metrel@metrel.si
web site: <http://www.metrel.si/>

Metrel GmbH

Mess und Prüftechnik
Orchideenstrasse 24
90542 Eckental -Brand
Germany
E-mail: metrel@metrel.de
Internet: <http://www.metrel.de/>

Metrel UK

Test & Measurement
Unit 1, Hopton House,
Ripley Drive,
Normanton Industrial Estate,
Normanton,
West Yorkshire
WF6 1QT
Great Britain
E-mail: info@metrel.co.uk
Internet: <http://www.metrel.co.uk/>

© 2012 METREL



Mark on your equipment certifies that this equipment meets the requirements of the EC (European Community) regulations concerning safety and electromagnetic compatibility.

No part of this publication may be reproduced or utilized in any form or by any means without permission in writing from METREL.

Table of contents/ Inhalt

English

1 Safety	4
2 Cenelec Directives	6
3 Product Description	7
4 Operation	8
5 Specifications	14
6 Maintenance	18

Deutsch

1.Sicherheitsbestimmungen	20
2 Cenelec-Richtlinien	22
3 Produktbeschreibung	23
4 Betrieb	24
5 Spezifikationen	30
6 Wartung	34

1 Safety

This manual contains information and warnings that must be followed for operating the instrument safely and maintaining the instrument in a safe operating condition. If the instrument is used in a manner not specified by the manufacturer, the protection provided by the instrument may be impaired.

The meter protection rating, against the users, is double insulation per IEC/UL/EN61010-1 Ed. 3.0, IEC/EN61010-2-030 Ed. 1.0, IEC/EN61010-2-033 Ed. 1.0, IEC/UL/EN61010-031 Ed. 1.1 and CAN/CSA-C22.2 No. 61010-1-12 Ed. 3.0 to Category III 600Volts AC & DC.

PER IEC61010 OVERVOLTAGE INSTALLATION CATEGORY

OVERVOLTAGE CATEGORY II

Equipment of **OVERVOLTAGE CATEGORY II** is energy-consuming equipment to be supplied from the fixed installation.

Note – Examples include household, office, and laboratory appliances.

OVERVOLTAGE CATEGORY III

Equipment of **OVERVOLTAGE CATEGORY III** is equipment in fixed installations.

Note – Examples include switches in the fixed installation and some equipment for industrial use with permanent connection to the fixed installation.

OVERVOLTAGE CATEGORY IV

Equipment of **OVERVOLTAGE CATEGORY IV** is for use at the origin of the installation.

Note – Examples include electricity meters and primary over-current protection equipment.

TERMS IN THIS MANUAL

WARNING identifies conditions and actions that could result in serious injury or even death to the user.

CAUTION identifies conditions and actions that could cause damage or malfunction in the instrument.

WARNING

To reduce the risk of fire or electric shock, do not expose this product to rain or moisture. The meter is intended only for indoor use.

To avoid electrical shock hazard, observe the proper safety precautions when working with voltages above 60 VDC or 30 VAC rms. These voltage levels pose a potential shock hazard to the user.

Keep your hands/fingers behind the hand/finger barriers (of the meter and the test leads) that indicate the limits of safe access of the hand-held part during measurement.

Inspect test leads, connectors, and probes for damaged insulation or exposed metal before using the instrument. If any defects are found, replace them immediately. Only use the test lead provided with the equipment or UL Listed Probe Assembly with same rating or better.

This Clamp-on meter is designed to apply around or remove from uninsulated hazardous live conductors. But still, individual protective equipment must be used if hazardous live parts in the installation where measurement is to be carried out could be accessible.

CAUTION

Disconnect the test leads from the test points before changing meter functions.

INTERNATIONAL ELECTRICAL SYMBOLS

Caution ! Refer to the explanation in this Manual



Caution ! Risk of electric shock



Earth (Ground)



Double Insulation or Reinforced insulation



Fuse



AC--Alternating Current



DC--Direct Current



Application around and removal from hazardous live conductors is permitted

2 Cenelec Directives

The instruments conform to CENELEC Low-voltage directive 73/23/EEC and Electromagnetic compatibility directive 89/336/EEC

3 Product Description

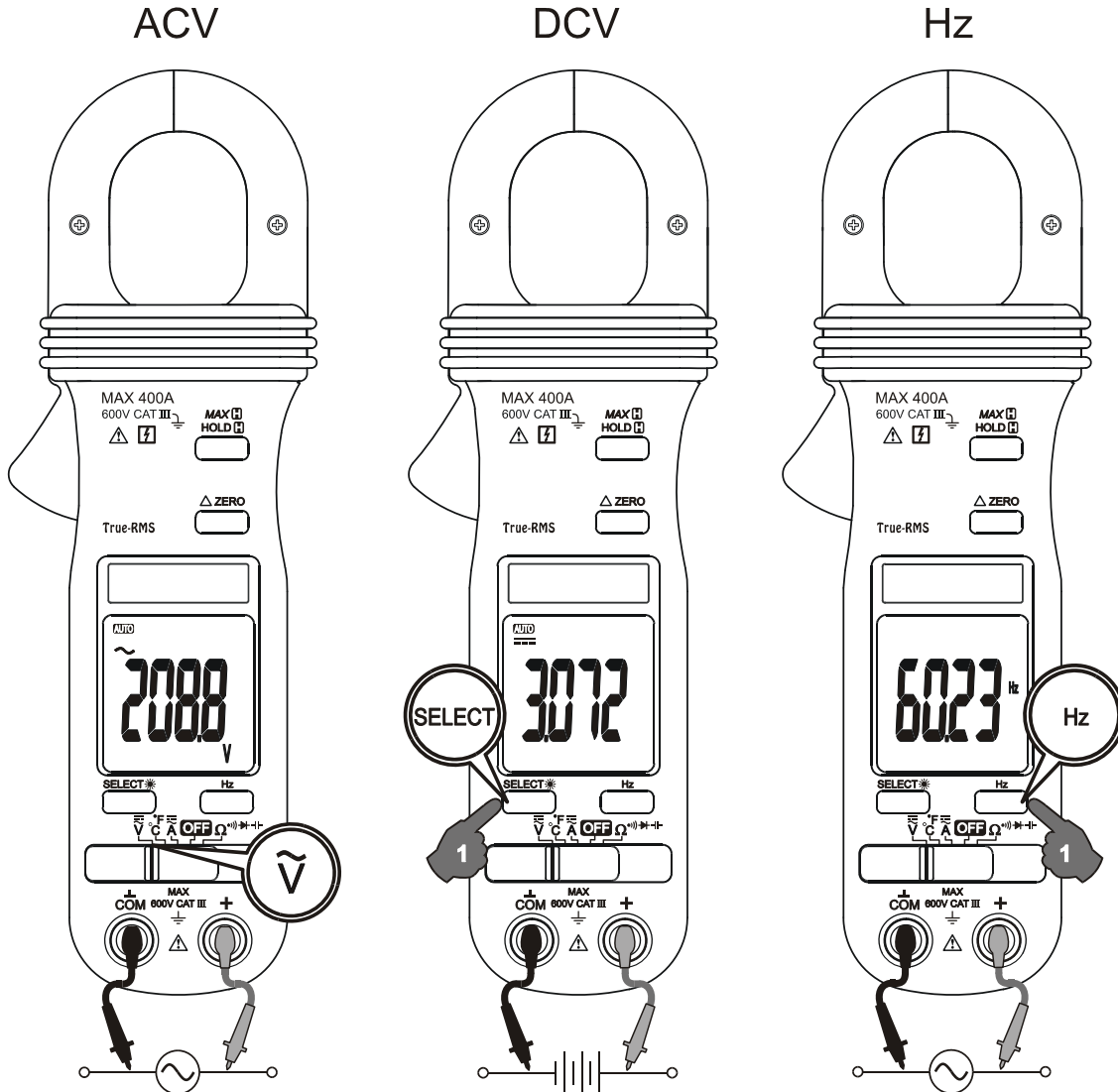
This user's manual uses only representative model(s) for illustrations. Please refer specification details for function availability to each model.

	<p>1) To reduce the risk of fire or electric shock, do not expose this product to rain or moisture. The meter is intended only for indoor use.</p> <p>To avoid electrical shock hazard, observe the proper safety precautions when working with voltages above 60 VDC or 30 VAC rms. These voltage levels pose a potential shock hazard to the user. Keep your hands/fingers behind the hand/finger barriers (of the meter and the test leads) that indicate the limits of safe access of the hand-held part during measurement. Inspect test leads, connectors, and probes for damaged insulation or exposed metal before using the instrument. If any defects are found, replace them immediately.</p> <p>This Clamp-on meter is designed to apply around or remove from uninsulated hazardous live conductors. But still, individual protective equipment must be used if hazardous live parts in the installation where measurement is to be carried out could be accessible.</p> <p>2) Hand/Finger Barrier to indicate the limits of safe access of the meter during measurement</p> <p>3) Push-buttons for special functions & features</p> <p>4) Input Jack for all functions EXCEPT non-invasive ACA & DCA current functions</p> <p>5) Common (Ground reference) Input Jack for all functions EXCEPT non-invasive ACA & DCA current functions</p> <p>6) Slide-switch Selector to turn the power ON/OFF and Select a function</p> <p>7) 3-3/4 digits 4000 counts LCD display</p> <p>8) Jaw trigger for opening the clamp jaw</p> <p>9) DCA direction for + polarity as well as Jaw center Indicator, at where best ACA & DCA accuracy is</p>
--	---

4 Operation

CAUTION: Before and after hazardous voltage measurements, test the voltage function on a known source such as line voltage to determine proper meter functioning.

DC Voltage, AC Voltage, Hz Frequency functions



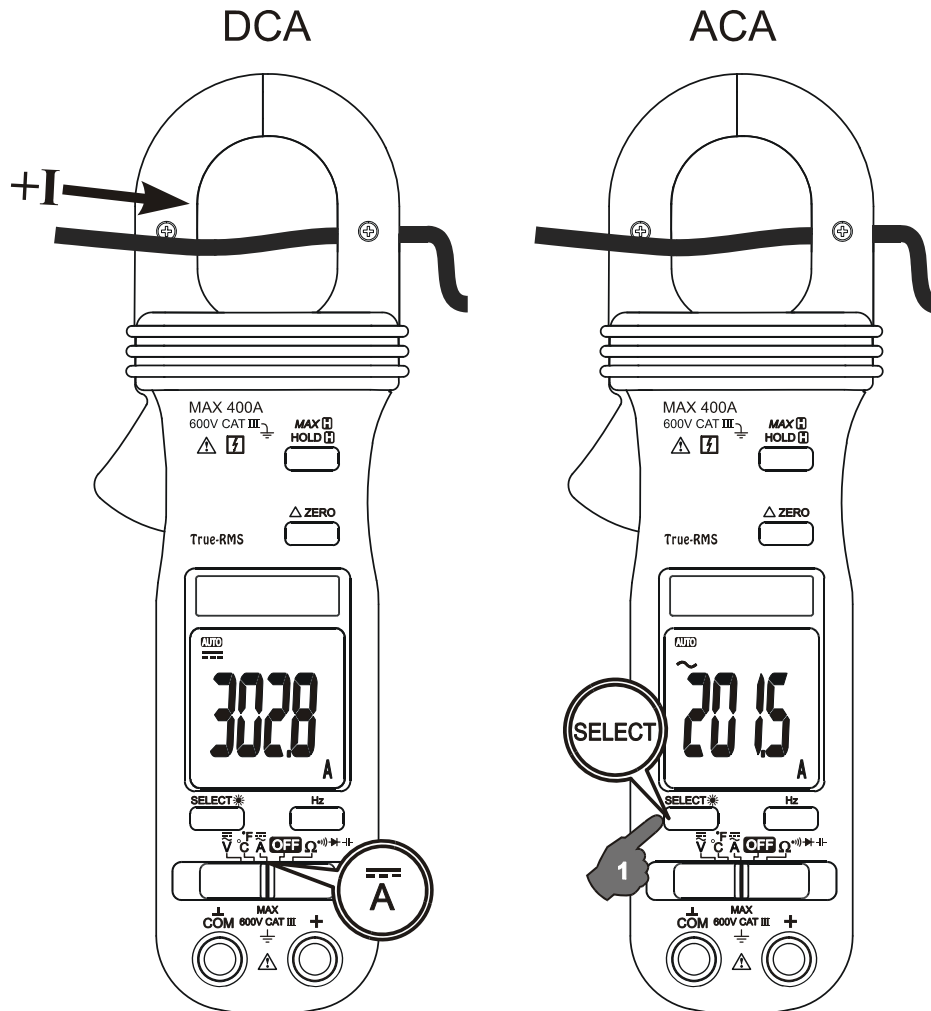
Set slide-switch to Voltage function position. Inputs are made through the test leads terminals. Press **SELECT** button momentarily to select DC voltage.

Press the Hz button momentarily to activate Hz Frequency. The Hz trigger level is determined by the selected function-range from where the Hz function is activated. In ACV function, activating the Hz function during significant measurements can get the most appropriate trigger level to avoid electrical noises in most cases. Electrical noise may cause unstable Hz reading. Activating the Hz function at AC 4.000V range (before making significant measurements) can get lower trigger level (higher sensitivity). Hz reading may show zero when the sensitivity is insufficient.

Note: DC 400.0mV range is designed with 1000MΩ high input impedance for least

current drain in measuring small signals, and can cope better with most commercially available voltage output transducers/adapters. The non-zero display reading is normal when the meter inputs are open circuit, which will not affect actual measurement accuracy. The meter will show close-to-zero readings when the inputs are shorted. Open input is actually a floating condition, which is not a zero-volt-input condition.

ACA & DCA Current clamp-on function



Inputs are made through the clamp jaws for non-invasive ACA & DCA current measurements.

CAUTION (Application and removal of the Clamp-on meter)

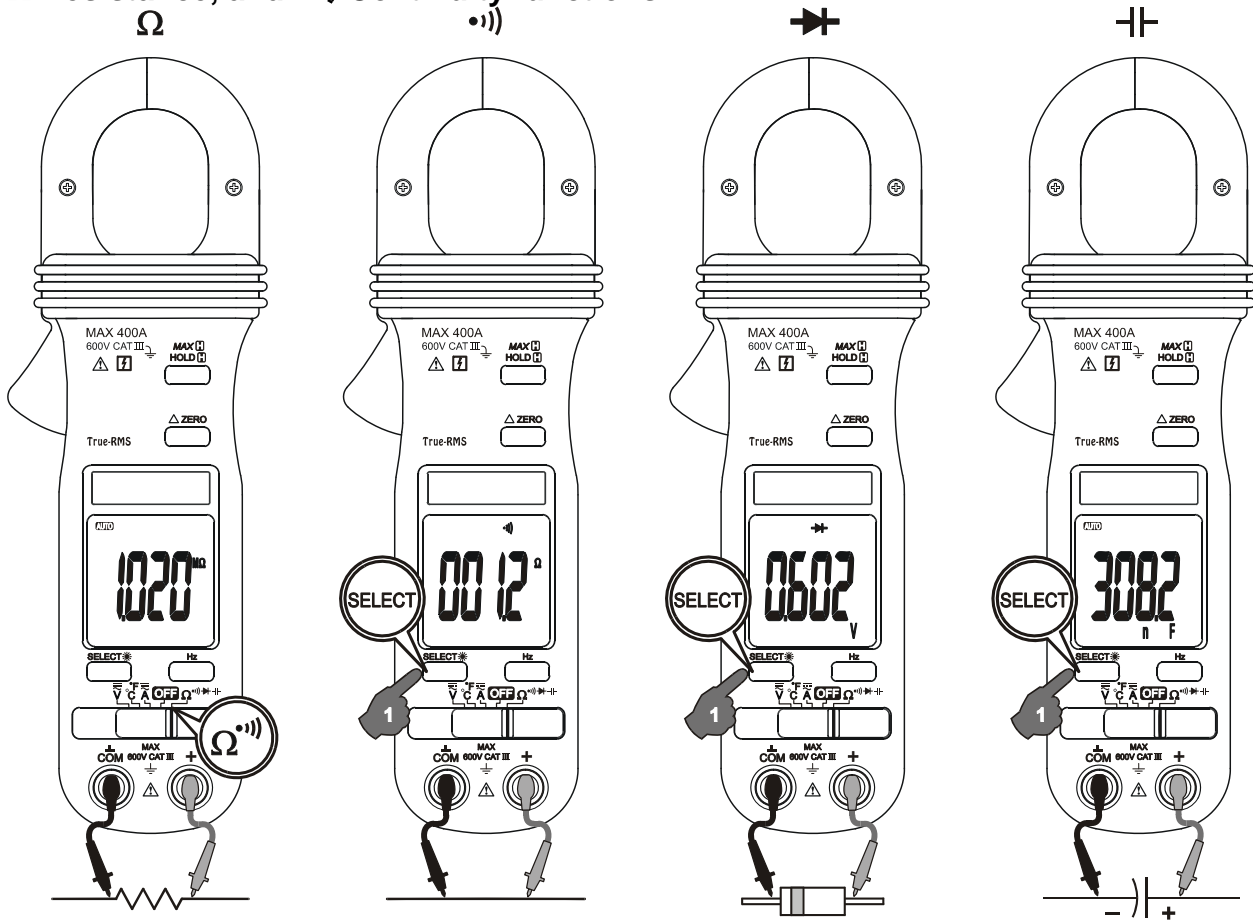
Press the jaw trigger and clamp the jaws around only one single conductor of a circuit for load current measurement. Make sure the jaws are completely closed, or else it will introduce measurement errors. Enclosing more than one conductor of a circuit will result in differential current measurement (like identifying leakage current). Locate the conductor(s) at the Jaws center as much as possible to get the best measuring accuracy. The jaw "+" mark indicates current flow direction on DCA positive readings. For removal, press the jaw trigger and remove the jaws from the conductor(s).

Note: In DCA measurements, hysteresis of the jaws (after measuring high DC currents) may introduce non-zero residual readings. Relative Zero Δ mode should be used each time to offset the residual readings, if any, for more accurate measurements. Adjacent current-carrying devices such as transformers, motors and conductor wires will affect measurement accuracy. Keep the jaws away from them as much as possible to minimize influence.

CAUTION

Do not measure above rated frequency (400Hz). In measuring above rated frequency, the magnetic circuits may reach to a hazardous temperature.

Ω Resistance, and $\bullet\))$ Continuity functions



CAUTION

Using Resistance, Continuity or Diode function in a live circuit will produce false results and may damage the instrument. In many cases the suspected component must be disconnected from the circuit to obtain an accurate measurement reading

Inputs are made through the test leads terminals. Slide-switch on defaults at Ω . Press **SELECT** button momentarily to select $\bullet\))$ Continuity function which is convenient for checking wiring connections and operation of switches. A continuous beep tone indicates a complete wire.

➔ Diode test function

Inputs are made through the test leads terminals. Slide-switch on defaults at Ω . Press **SELECT** button momentarily 2 times to select ➔ Diode test function. Normal forward voltage drop (forward biased) for a good silicon diode is between 0.400V to 0.900V. A reading higher than that indicates a leaky diode (defective). A zero reading indicates a shorted diode (defective). An OL indicates an open diode (defective). Reverse the test leads connections (reverse biased) across the diode. The digital display shows OL if the diode is good. Any other readings indicate the diode is resistive or shorted (defective).

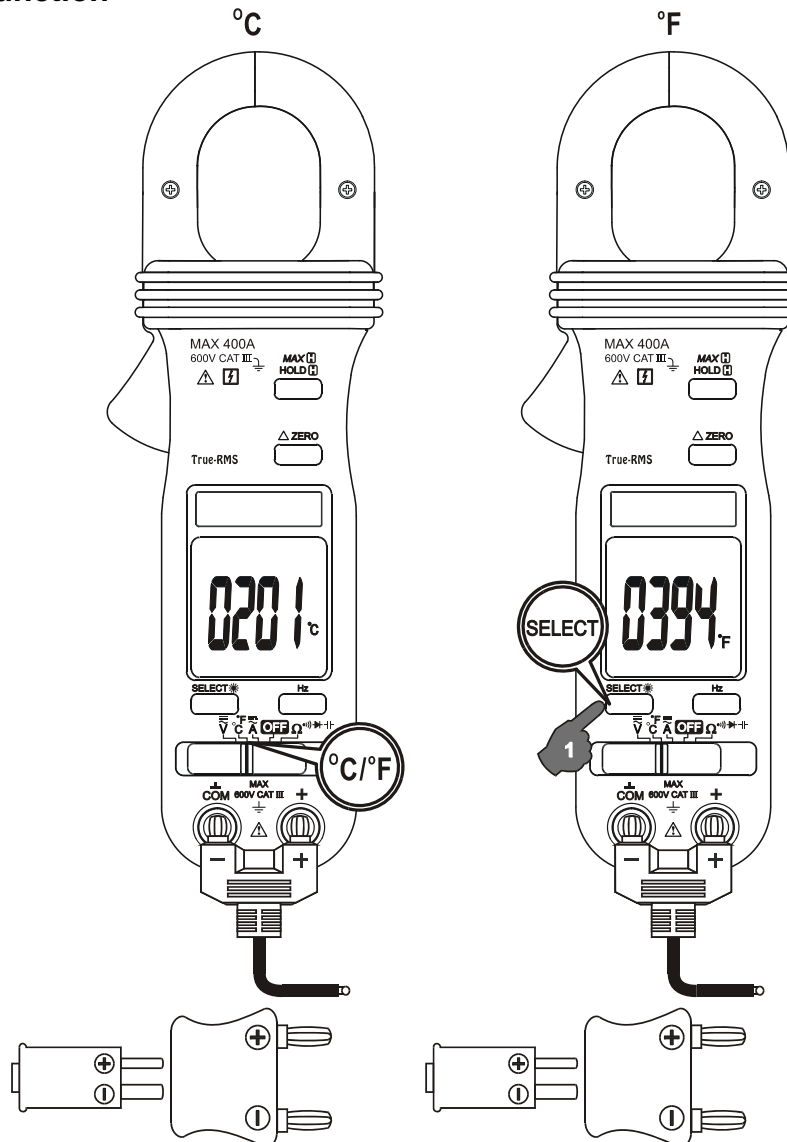
⚡ Capacitance function

Inputs are made through the test leads terminals. Slide-switch on defaults at Ω . Press **SELECT** button momentarily 3 times to select ⚡ Capacitance function. Relative zero Δ mode can be used to zero out the parasitic capacitance of the leads and the internal protection circuitry of the meter when measuring low capacitance in the order of Pico Farad (pF).

CAUTION



Discharge capacitors before making any measurement. Large value capacitors should be discharged through an appropriate resistance load

Temperature function





Be sure to insert the banana plug type-K temperature bead probe with correct **+** **-** polarities. Slide-switch on defaults at degree C (Celsius). Press **SELECT** button momentarily to select degree F (Fahrenheit). You can also use a plug adapter AMD 9024 (Optional purchase) with banana pins to type-K socket to adapt other type-K standard mini plug temperature probes.

HOLD

The Hold feature freezes the display for later viewing. Press the **HOLD**  button momentarily to toggle to the Hold feature. The annunciator “” turns on.

MAX

The max feature compares and displays the measured maximum value as fast as 30ms with auto-ranging capability. It allows the meter to capture in-rush currents in current functions. Press and hold the **MAX**  button for 1 second or more to toggle to the max feature. The annunciators “**MAX**” and “” turn on.

Relative Zero Δ mode

Relative Zero Δ mode allows the user to offset the meter consecutive measurements with the displaying reading as the reference value. The display will now show readings relative to the stored reference value. That is, display = reading - stored value. Press the Δ button momentarily to toggle to the relative zero mode. The annunciator " Δ " turns on. The meter also enters manual ranging mode where available. The annunciator "**AUTO**" turns off.

Display Backlight

Press the **SELECT** button for 1 second or more to toggle the display backlight on and off.

Auto Power Off (APO)

When the meter is on, the Auto Power Off (APO) feature will switch the meter to sleep mode automatically after approximately 30 minutes of neither slide-switch nor push button operations to extend battery life. To wake up the meter from APO, press any push-button momentarily or set the slide-switch to the OFF position and then slide back on again. Always set the slide-switch to the OFF position manually when the meter is not in use.

5 Specifications

Display:	3-3/4 digits 4000 counts LCD display(s)
Update Rate:	3 per second nominal
Polarity:	Automatic
Low Battery:	Below approx. 2.4V
Operating Temperature:	0°C to 40°C
Relative Humidity:	Maximum relative humidity 80% for temperature up to 31°C decreasing linearly to 50% relative humidity at 40°C
Altitude:	Operating below 2000m
Storage Temperature:	-20°C to 60°C, < 80% R.H. (with battery removed)
Temperature Coefficient:	nominal 0.15 x (specified accuracy)/°C @(0°C - 18°C or 28°C -40°C), or otherwise specified
Sensing :	True RMS
Safety :	Meets IEC/UL/EN61010-1 Ed. 3.0, IEC/EN61010-2-032 Ed. 3.0, IEC/EN61010-2-033 Ed. 1.0, IEC/UL/EN61010-031 Ed. 1.1 & CAN/CSA-C22.2 No. 61010-1-12 Ed. 3.0:
Category:	III 600 Volts ac & dc.
Transient protection:	6.5kV (1.2/50µs surge)
Pollution degree:	2
E.M.C.:	Meets EN61326-1:2006 (EN55022, EN61000-3-2, EN61000-3-3, EN61000-4-2, EN61000-4-3, EN61000-4-4, , EN61000-4-5, EN61000-4-6, EN61000-4-8, EN61000-4-11)
In an RF field of 3V/m:	Capacitance function is not specified
Other function ranges:	Total Accuracy = Specified Accuracy + 50igits Performance above 3V/m is not specified
Overload Protections:	
Clamp-on jaws:	DC/AC 400A rms continuous
+ & COM terminals (all functions):	600 VDC/VAC rms
Power Supply:	standard 1.5V AAA Size (NEDA 24G or IEC R03) battery X 2; or 1.5V AAA Size (NEDA 24A or IEC LR03) alkaline battery X 2
Power Consumption:	11mA typical for ACA/DCA and 2.9mA typical for other functions
APO Timing:	Idle for 30 minutes
APO Consumption:	typical 190µA
Dimension:	L188mm X W63mm X H40mm
Weight:	218 gm approx
Jaw opening & Conductor diameter:	30mm max
Accessories:	Test lead pair, batteries installed, user's manual, soft carrying pouch, & banana plug type-K thermocouple
Optional accessories:	AMD 9024 banana plug to type-K socket plug adaptor

Electrical Specifications

Accuracy is \pm (% reading digits + number of digits) or otherwise specified, at $23^{\circ}\text{C} \pm 5^{\circ}\text{C}$ & less than 75% R.H.

True RMS ACV & ACA clamp-on accuracies are specified from 5% to 100% of range or otherwise specified. Maximum Crest Factor are as specified below, and with frequency spectrums, besides fundamentals, fall within the meter specified AC bandwidth for non-sinusoidal waveforms. Fundamentals are specified at 50Hz and 60Hz.

DC Voltage

RANGE	Accuracy
400.0 mV	0.3% + 3d
4.000V, 40.00V, 400.0V	0.5% + 3d
600V	1.0% + 4d

Input Impedance : $10\text{M}\Omega$, 30pF nominal ($1000\text{M}\Omega$ for 400.0mV range)

AC Voltage

RANGE	Accuracy
50Hz ~ 60Hz	
4.000V, 40.00V, 400.0V	1.0% + 4d
60Hz ~ 500Hz	
4.000V, 40.00V, 400.0V	1.5% + 4d
50Hz ~ 500Hz	
600V	2.0% + 4d

Input Impedance: $10\text{M}\Omega$, 30pF nominal

True RMS Crest Factor:

< 2 : 1 at full scale & < 4 : 1 at half scale

Ohms

RANGE	Accuracy
400.0Ω	0.8% + 6d
4.000kΩ, 40.00kΩ, 400.0kΩ	0.6% + 4d
4.000MΩ	1.0% + 4d
40.00MΩ	2.0% + 4d

Open Circuit Voltage : 0.4VDC typical

Audible Continuity Tester

Open Circuit Voltage: 0.4VDC typical

Range: 400.0Ω; Accuracy: 1.5% + 8d

Audible threshold: between 10Ω and 120Ω.

Diode Tester

Open Circuit Voltage : < 1.6 VDC Typical

Test Current : 0.4mA Typical

Capacitance

RANGE ¹⁾	Accuracy ^{2) 3)}
500.0nF, 5.000μF, 50.00μF, 500.0μF, 3000μF	3.5% + 6d

¹⁾Additional 50.00nF range accuracy is not specified

²⁾Accuracies with film capacitor or better

³⁾Specified with battery voltage above 2.8V (approximately half full battery). Accuracy decreases gradually to 12% at low battery warning voltage of approximately 2.4V

DCA Current (Clamp-on)

RANGE	Accuracy ^{1) 2)}
400.0A	
0A ~ 50.0A	1.0% + 4d
50.0A ~ 200.0A	1.5% + 5d
200.0A ~ 300.0A	2.0% + 5d
300.0A ~ 400.0A	2.5% + 5d

¹⁾Induced error from adjacent current-carrying conductor: < 0.01A/A

²⁾Relative Zero Δ mode is applied to offset the non-zero residual readings, if any

ACA Current (Clamp-on)

RANGE	Accuracy¹⁾
400.0A	
40Hz ~ 60Hz @ 0 ~ 50A	1.0% + 6d
60Hz ~ 400Hz @ 0 ~ 50A	1.5% + 5d
40Hz ~ 60Hz @ 50A ~ 200A	1.5% + 5d
60Hz ~ 200Hz @ 50A ~ 200A	2.0% + 5d
40Hz ~ 60Hz @ 200A ~ 300A	2.0% + 5d
40Hz ~ 60Hz @ 300A ~ 400A	2.5% + 5d

¹⁾Induced error from adjacent current-carrying conductor: < 0.01A/A

True RMS Crest Factor:

< 1.8 : 1 at full scale & < 3.6 : 1 at half scale

Hz Frequency

Function	Sensitivity (Sine wave)	Range
400.0mV	350mV	10Hz ~ 1kHz
4.000V	3.2V	5Hz ~ 20kHz
40.00V	25V	5Hz ~ 100kHz
400.0V	100V	5Hz ~ 100kHz
600V	410V	5Hz ~ 5kHz
DCA/ACA	Unspecified	

Display counts: 5000

Maximum resolution: 0.001Hz

Accuracy: 0.5%+4d

Type-K Temperature

RANGE	Accuracy
-20 °C ~ 300 °C	2.0% + 3d
300 °C ~ 537 °C	3.0% + 3d
-4 °F ~ 572 °F	2.0% + 6d
572 °F ~ 1000 °F	3.0% + 6d

Type-K thermocouple range & accuracy not included

6 Maintenance

WARNING

To avoid electrical shock, disconnect the meter from any circuit, remove the test leads from the input jacks and turn OFF the meter before opening the case. Do not operate with open case.

Trouble Shooting

If the instrument fails to operate, check batteries and test leads etc., and replace as necessary. Double check operating procedure as described in this user's manual

If the instrument voltage-resistance input terminal has subjected to high voltage transient (caused by lightning or switching surge to the system) by accident or abnormal conditions of operation, the series fusible resistors will be blown off (become high impedance) like fuses to protect the user and the instrument. Most measuring functions through this terminal will then be open circuit. The series fusible resistors and the spark gaps should then be replaced by qualified technician. Refer to the LIMITED WARRANTY section for obtaining warranty or repairing service.

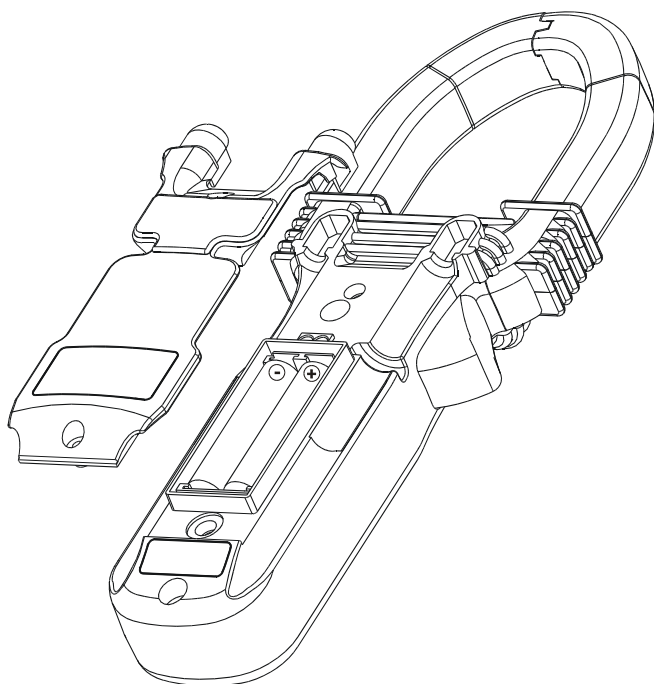
Cleaning and Storage

Periodically wipe the case with a damp cloth and mild detergent; do not use abrasives or solvents. If the meter is not to be used for periods of longer than 60 days, remove the batteries and store them separately

Battery replacement

The meter uses standard 1.5V AAA Size (NEDA 24A or IEC LR03) battery X 2

Loosen the 2 captive screws from the battery cover case. Lift the battery cover case. Replace the batteries. Replace battery cover case. Re-fasten the screws.



LIMITED WARRANTY

This equipment is warranted against any defects of manufacture or materials.

During the warranty period (2 years), defective parts will be replaced, the manufacturer reserving the right to repair or replace the product. In the event of the equipment being returned to the after sale department or to a local agency, the outward transport is payable by the consignor. For delivery indicate, by means of an enclosed note, as clear as possible, the reasons for returning it. Any damage caused by shipment using not original packing will be charged in any case to the consignor.

The manufacturer will not be responsible for any damage to persons or things.

The warranty is not valid in the following cases:

- Accessories and battery are not included in warranty.
- Repairs following unsuitable use of the equipment.
- Repairs necessitated by attempts to repair by a person not approved by the manufacturer.
- Modification of the equipment without the explicit authorisation of the manufacturer.
- Adaptation to a specific application not provided for in the specifications of the equipment or the user manual.
- Damage after a drop, a shock or flooding.

The contents of this manual must not be reproduced in any form whatsoever without the consent of the manufacturer.

Service

The life span of the equipment is 7 years. If the equipment should not work properly, before the service, test the battery conditions, the test leads, etc., and change them if necessary.

If the equipment still does not work check if your operating procedure agrees with the latter described in this manual.

In the event of returning the equipment it must be re-sent to the after-sales service of the local Metrel distributor, the outward transport is payable by customer. The delivery must be agreed in advance with consignee. For delivery indicate, by means of an enclosed note, as clear as possible, the reasons for returning it. Use only the original packing. Any damage caused by delivery with NO original packing will be charged in any case to the consignor.

THIS WARRANTY IS EXCLUSIVE AND IS IN LIEU OF ALL OTHER WARRANTIES, EXPRESSED OR IMPLIED, INCLUDING BUT NOT LIMITED TO ANY IMPLIED WARRANTY OR MERCHANTABILITY OR FITNESS FOR A PARTICULAR PURPOSE OR USE. METREL WILL NOT BE LIABLE FOR ANY SPECIAL, INDIRECT, INCIDENTAL OR CONSEQUENTIAL DAMAGES.



PRINTED ON RECYCLABLE PAPER, PLEASE RECYCLE

1. Sicherheitsbestimmungen

Dieses Handbuch weist Informationen und Warnhinweise aus, die für einen sicheren Betrieb des Messgeräts und sichere Betriebsbedingungen beachtet werden müssen. Wenn das Gerät nicht wie vom Hersteller vorgeschrieben verwendet wird, kann der Schutz, den das Messgerät während des Betriebs bietet, nicht aufrechterhalten werden.

Die Schutzkategorien für dieses Gerät werden mit Doppelisolierung gemäß IEC/UL/EN61010-1 Ed. 3.0, IEC/EN61010-2-030 Ed. 1.0, IEC/EN61010-2-033 Ed. 1.0, IEC/UL/EN61010-031 Ed. 1.1 und CAN/CSA-C22.2 No. 61010-1-12 Ed. 3.0 nach CAT III AC & DC geschützt.

GEMÄß IEC61010 ÜBERSPANNUNGSINSTALLATIONEN

ÜBERSPANNUNGSKATEGORIE II

Geräte nach **ÜBERSPANNUNGSKATEGORIE II** sind energieverbrauchende Geräte, die von festen Installationen gespeist werden müssen.

Hinweis – Beispiele sind: Haushalt, Büro und Laboranwendungen.

ÜBERSPANNUNGSKATEGORIE III

Geräte nach **ÜBERSPANNUNGSKATEGORIE III** sind Geräte in festen Installationen.

Hinweis – Beispiele sind Schalter in festen Installationen und einige Anlagen im Industriegebrauch mit permanentem Anschluss an die feste Installation.

ÜBERSPANNUNGSKATEGORIE IV

Geräte nach **ÜBERSPANNUNGSKATEGORIE IV** sind Geräte am Anschlusspunkt der Installation. Hinweis – Beispiele sind Strommessgeräte und primäre Überspannungsschutzgeräte.

Bezeichnungen in diesem Handbuch

WARNUNG bezeichnet Bedingungen und Handlungen, die zur schweren Verletzungen oder gar Tod des Benutzers führen können.

ACHTUNG bezeichnet die Bedingungen und Handlungen, die zu Schäden oder Fehlfunktionen des Messgeräts führen können.

WARNUNG

Um die Gefahr vor Feuer oder elektrischen Schlägen zu reduzieren, sollte dieses Produkt nicht im Regen oder bei Feuchtigkeit verwendet werden. Das Messgerät ist ausschließlich für den Gebrauch in Innenräumen ausgelegt.

Vermeiden Sie die Gefahr elektrischer Schläge, indem Sie die Sicherheitsbestimmungen beachten, sollten Sie bei Spannungen über 60 V DC bzw. 30 V AC (Effektivwerte) arbeiten. Diese Spannungen stellen eine erhöhte Gefahr für den Benutzer dar.

Halten Sie Ihre Hände und Finger hinter dem Hand-/Fingerschutz (des Testgeräts und der Prüfkabel), diese stellen die Grenze des Bereichs der sicheren Handhabung von Handmessgeräten dar. Prüfen Sie die Prüfleitungen, Stecker und Sensoren auf freiliegende Metallflächen und beschädigte Isolierungen. Ersetzen Sie die betreffenden

Bauteile sofort, wenn Sie Schäden feststellen. Verwenden Sie nur die Messleitung mit der Ausrüstung zur Verfügung gestellt, oder UL Listed Probe Versammlung bewertet CAT III 600 V oder besser.

Diese Stromzange wurde so vorgesehen, dass sie an gefährliche, unisolierte und stromführende Leiter angeschlossen und wieder von ihnen getrennt werden kann. Dennoch sollten individuelle Schutzmaßnahmen getroffen werden, wenn Benutzer bei der Messung mit stromführenden Teilen in Berührung kommen könnten.

ACHTUNG

Trennen Sie die Prüfkabel von den Prüfpunkten, bevor Sie die Messfunktionen ändern.

INTERNATIONALE ELEKTRISCHE SYMBOLE



Achtung ! Siehe Erklärung in diesem Handbuch



Achtung ! Gefahr vor elektrischen Schlägen



Erdung (Masse)



Doppelte Isolierung oder verstärkte Isolierung



Sicherung



AC – Wechselstrom



DC – Gleichstrom



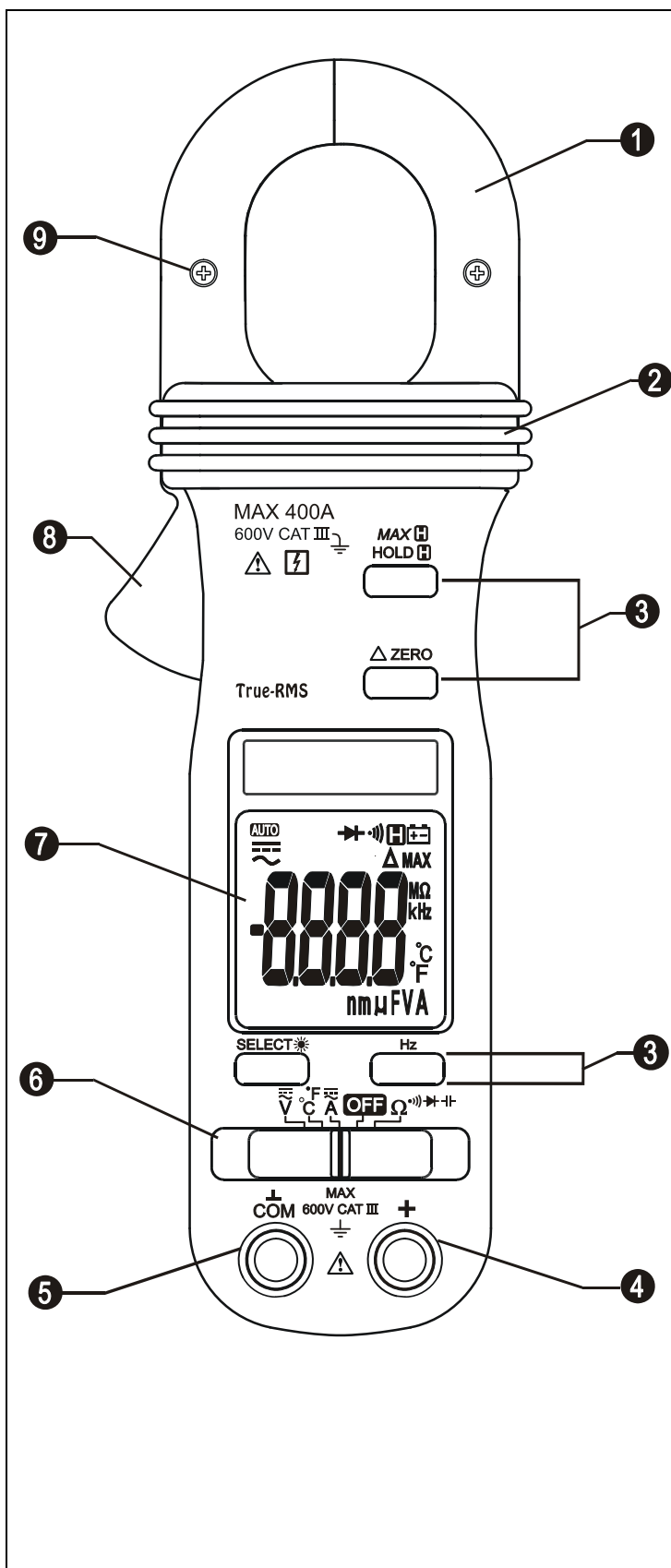
Der Anschluss an und das Entfernen von gefährlichen, stromführenden Leitern ist erlaubt.

2 Cenelec-Richtlinien

Die Messgeräte entsprechen den Richtlinien des CENELEC für Niederspannung 73/23/EWG und für elektromagnetische Verträglichkeit 89/336/EWG

3 Produktbeschreibung

In diesem Benutzerhandbuch werden zu Illustrationszwecken nur repräsentative Modelle verwendet. In den Spezifikationen finden Sie Angaben zu jedem einzelnen Modell.



1) Um die Gefahr vor Feuer oder elektrischen Schlägen zu reduzieren, sollte dieses Produkt nicht im Regen oder bei Feuchtigkeit verwendet werden. Das Messgerät ist ausschließlich für den Gebrauch in Innenräumen ausgelegt.

Vermeiden Sie die Gefahr elektrischer Schläge, indem Sie die Sicherheitsbestimmungen beachten, sollten Sie bei Spannungen über 60 V DC bzw. 30 V AC (Effektivwerte) arbeiten. Diese Spannungen stellen eine erhöhte Gefahr für den Benutzer dar.

Halten Sie Ihre Hände und Finger hinter dem Hand-/Fingerschutz (des Testgeräts und der Prüfkabel), diese stellen die Grenze des Bereichs der sicheren Handhabung von Handmessgeräten. Prüfen Sie die Prüflösungen, Stecker und Sensoren auf freiliegende Metallflächen und beschädigte Isolierungen. Ersetzen Sie die betreffenden Bauteile sofort, wenn Sie Schäden feststellen. Diese Stromzange wurde so vorgesehen, dass sie an gefährliche, unisolierte und stromführende Leiter angeschlossen und wieder von ihnen getrennt werden kann. Dennoch sollten individuelle Schutzmaßnahmen getroffen werden, wenn Benutzer bei der Messung mit stromführenden Teilen in Berührung kommen könnten.

2) Der Hand-/Fingerschutz stellt die Grenze zur sicheren Handhabung des Geräts während der Messung dar.

3) Drucktasten für Sonderfunktionen

4) Eingangsbuchse für alle Funktionen AUSSER nicht invasiver AC- und DC-Strommessfunktionen

5) Gemeinsamer Eingangsbuchse (Erdungsreferenz) für alle Funktionen AUSSER nichtinvasiver AC- und DC-Strommessfunktionen

6) Schiebeschalter zum Ein-/Ausschalten und Auswählen der Funktion

7) 3-3/4-Zifferndisplay (LCD) bis 4000

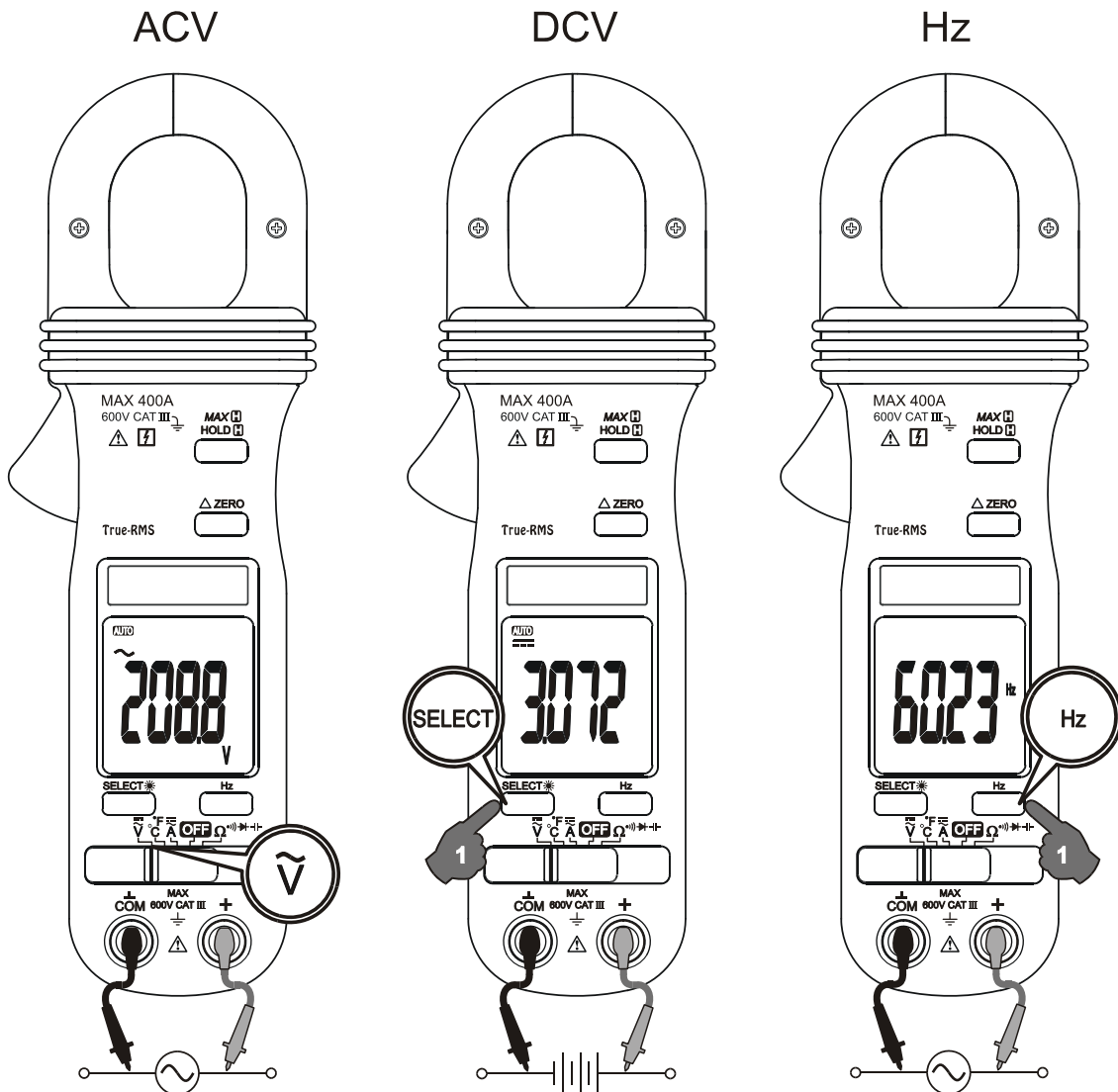
8) Hebel zum Öffnen der Zange

9) Gleichstromrichtung für +-Polarität sowie Anzeige für Zangenmitte für höchste Strommessgenauigkeit (AC und DC)

4 Betrieb

ACHTUNG: Führen Sie vor und nach Messungen gefährlicher Spannungen einen Test an bekannten Spannungsquellen durch (z.B. Netzspannung), um zu prüfen, ob das Messgerät korrekt funktioniert.

Funktionen für Gleichspannung, Wechselspannung und Frequenz



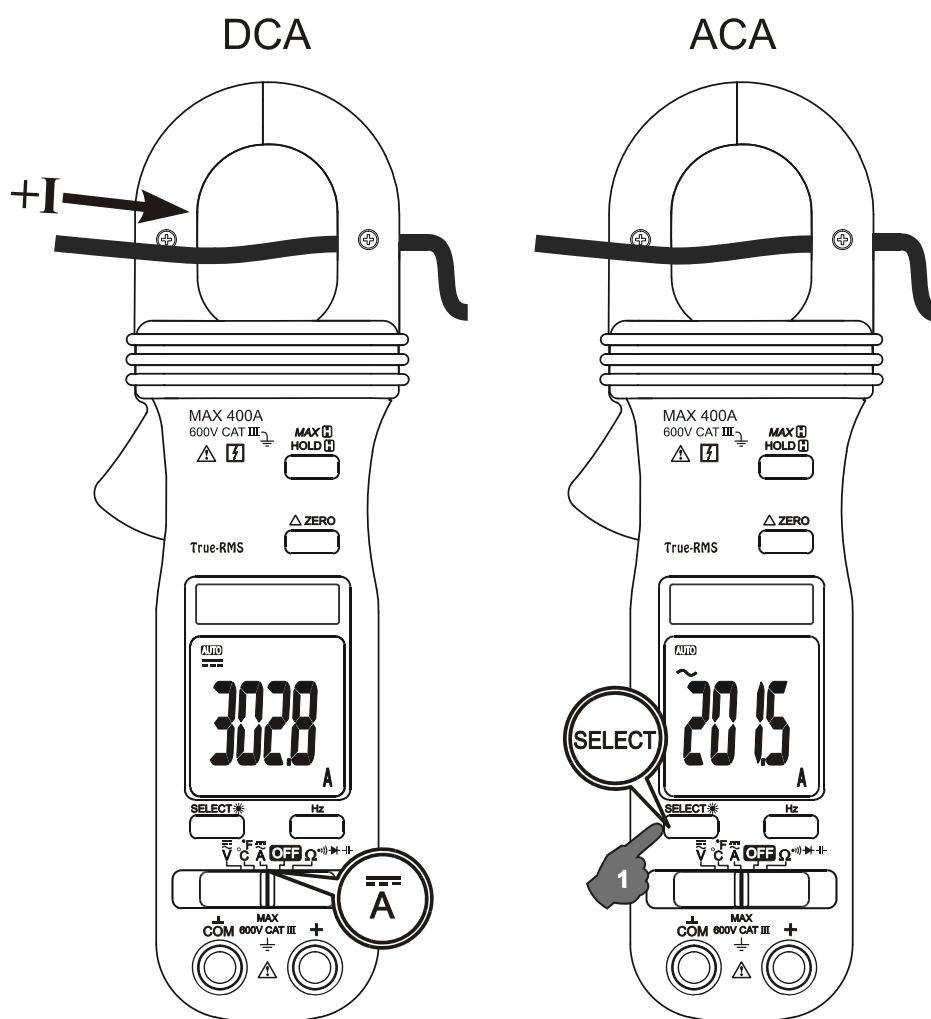
Stellen Sie den Schiebeschalter auf die Spannungsmessfunktion. Die Eingabe erfolgt über die Prüfleitungsanschlüsse. Drücken Sie die Taste **SELECT**, um Gleichspannung auszuwählen.

Drücken Sie die Taste Hz, um Hz-Frequenz auszuwählen. Der Hz-Auslösepegel wird vom ausgewählten Funktionsbereich, aus dem die Frequenzfunktion aktiviert wurde, bestimmt. Bei signifikanten Messungen kann durch die Aktivierung der Frequenzfunktion in der Wechselspannungsfunktion der geeignetste Auslösepegel eingestellt werden, um für die meisten Fälle ein Stromrauschen zu vermeiden. Stromrauschen kann instabile Hz-Ablesewerte verursachen. Durch Aktivieren der Frequenzfunktion im AC 4 V-Bereich (vor signifikanten Messungen) kann ein geringerer

Auslösepegel eingestellt werden (höhere Empfindlichkeit). Die Empfindlichkeit ist zu gering, wenn der Hz-Ablesewert Null anzeigen sollte.

Hinweis: Der Funktionsbereich DC 400 mV ist mit seiner hohen Eingangsimpedanz von 1000 M Ω bei Messungen kleiner Signale für geringste Stromentnahme ausgelegt und daher im Vergleich zu den meisten anderen kommerziell erhältlichen Spannungsausgabewandler/-adapter besser geeignet. Ablesewerte ungleich null sind normal, wenn die Messeingänge vom offenen Stromkreis ausgehen, dies beeinflusst jedoch nicht die Messgenauigkeit. Bei kurzgeschlossenen Eingangssignalen werden vom Messgerät Werte nahe null angezeigt. Ein offener Eingang stellt einen Fluss dar, jedoch keinen Null-Volt-Eingang.

AC- und DC-Stromfunktion (Zange angelegt)



Die Eingabe bei nicht invasiven AC- und DC-Strommessungen erfolgt über die Stromzangenbacken.

ACHTUNG (Anlegen und Entfernen des Stromzangenmessgeräts)

Drücken Sie den Zangenhebel und klemmen Sie die Backen um einen Leiter eines Stromkreises, wenn Sie Laststrommessungen durchführen möchten. Stellen Sie sicher, dass die Backen vollständig verschlossen sind, da sonst Messfehler auftreten. Wenn mehr als ein Leiter eines Stromkreises gegriffen werden, führt dies zu

Stromdifferenzmessungen (ähnlich der Identifizierung von Ableitstrom). Platzieren Sie den (die) Leiter so nah wie möglich in die Mitte der Zange, um eine bestmögliche Messgenauigkeit zu erzielen. Die Zange mit der “+”-Markierung zeigt die Stromflussrichtung bei positiven Gleichstromwerten. Wenn Sie die Zange wieder entfernen wollen, drücken Sie den Zangenhebel und nehmen Sie die Zangenbacken vom Leiter weg.

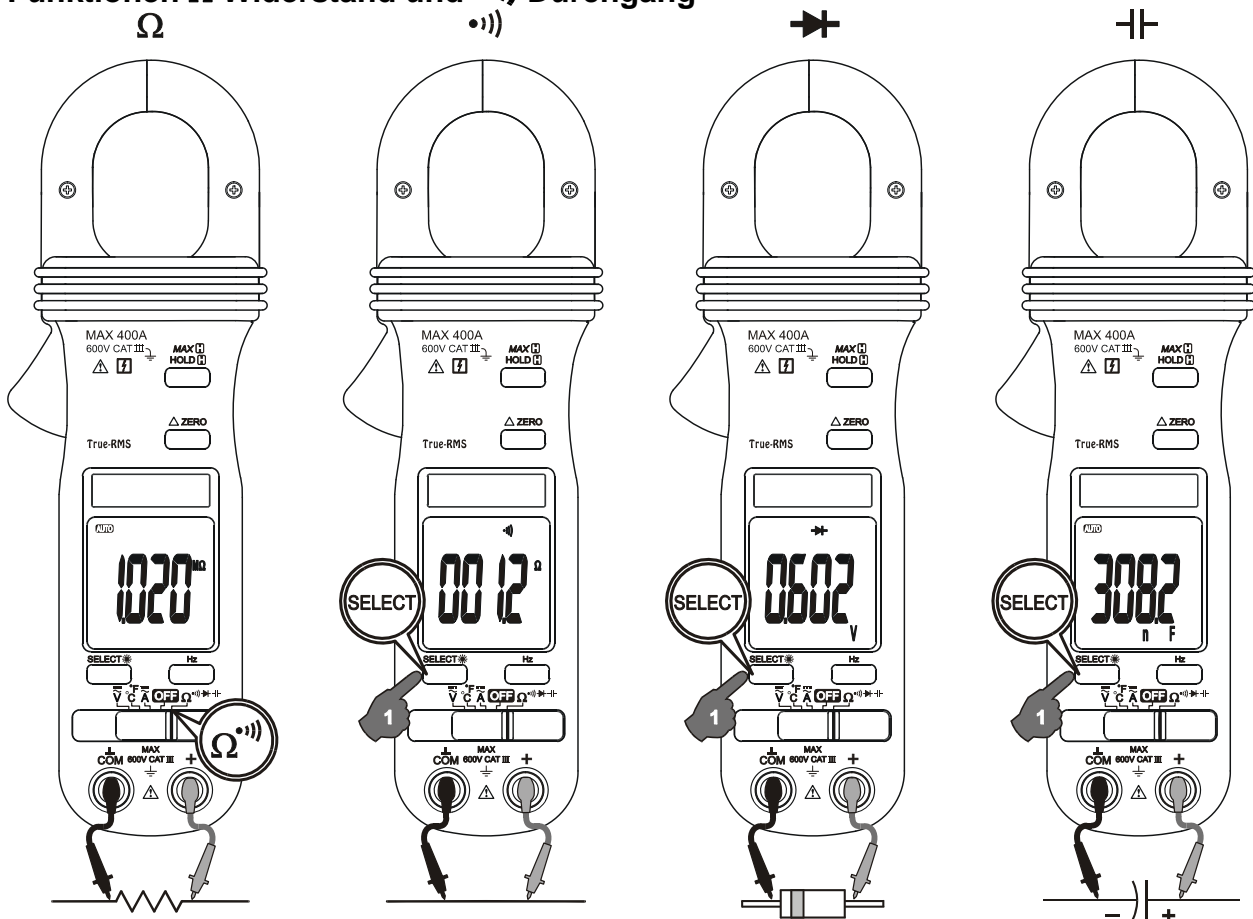
Hinweis: Bei Gleichstrommessungen können durch die Hysterese der Zangenbacken (nach dem Messen hoher Gleichströme) Restwerte ungleich Null auftreten. Der Modus Relativer Nullpunkt Δ sollte in diesen Fällen immer verwendet werden, um die Restwerte auszugleichen und eine höhere Messgenauigkeit zu erzielen.

Nebeneinander stromführende Geräte wie Transformatoren, Motoren und Kabelleiter beeinträchtigen die Messgenauigkeit. Halten Sie die Zange so weit weg wie möglich von diesen Geräten, um die Beeinträchtigung zu minimieren.

VORSICHT

Messen Sie nicht über die Nennfrequenz (400 Hz). Bei der Messung über die Nennfrequenz, können die Magnetkreise zu einer gefährlichen Temperatur zu erreichen.

Funktionen Ω Widerstand und \rightarrow) Durchgang



ACHTUNG

Wenn die Widerstands-, Durchgangs und Diodenfunktionen in einem spannungsführenden Stromkreis verwendet werden, kann dies zu falschen Ergebnissen und Schäden am Messgerät führen. In vielen Fällen muss die wahrscheinlich

fehlerhafte Komponente vom Stromkreis getrennt werden, um ein genaues Messergebnis zu erhalten.

Die Eingabe erfolgt über die Prüflitungsanschlüsse. Bewegen Sie den Schiebeschalter auf Ω . Drücken Sie die Taste **SELECT**, um die **•))** Durchgangsfunktion auszuwählen, welche zur Prüfung von Leitungsanschlüssen und Schalterbetrieb geeignet ist. Ein durchgehender Piepton deutet auf eine vollständige Leitung hin.

➔ Dioden-Prüffunktion

Die Eingabe erfolgt über die Prüflitungsanschlüsse. Bewegen Sie den Schiebeschalter auf Ω . Drücken Sie die Taste **SELECT** zwei Mal, um die **➔** Dioden-Prüffunktion auszuwählen. Die normale Vorwärtsspannung einer guten Silizium-Diode liegt zwischen 0,400 V und 0,900 V. Sollte ein höherer Ablesewert als dieser auftreten, liegt eine defekte Diode vor. Sollte der Ablesewert Null lauten, so liegt ein Kurzschluss vor (Diode defekt). OL deutet auf eine offene Diode hin (Diode defekt). Vertauschen Sie die Prüflitungsanschlüsse (Sperrspannung) des Flusses durch die Diode. Das digitale Display zeigt nun OL an, wenn die Diode funktionstüchtig ist. Alle anderen Ablesewerte deuten auf eine resistive oder kurzgeschlossene Diode hin (defekt).

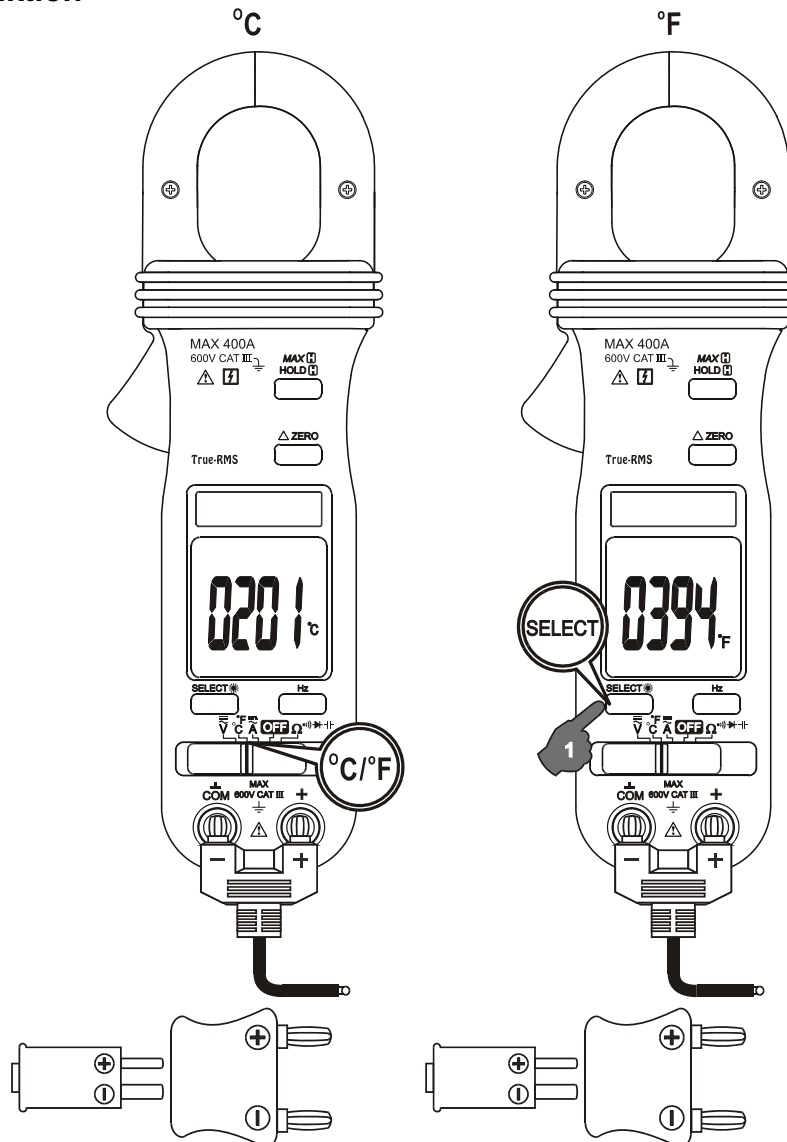
⊢ Kapazitätsfunktion

Die Eingabe erfolgt über die Prüflitungsanschlüsse. Bewegen Sie den Schiebeschalter auf Ω . Drücken Sie die Taste **SELECT** drei Mal, um die **⊢** Durchgangsfunktion auszuwählen. Der Modus Relativer Nullpunkt Δ kann dazu verwendet werden, die parasitäre Kapazität der Leitungen und der internen Schutzschaltung des Messgeräts herauszufiltern, wenn Messungen geringer Kapazitäten in der Größenordnung von Piko-Farad (pF) durchgeführt werden.

ACHTUNG

Die Kondensatoren müssen vor den Messungen entladen sein. Kondensatoren mit hohen Werten sollten mit einer geeigneten Widerstandslast entladen werden.

Temperaturfunktion




Stellen Sie sicher, dass der Bananenstecker (Typ K) des Temperaturfühlers mit der richtigen **+** **-** Polarität angeschlossen wurde. Bewegen Sie den Schiebeschalter auf Grad C (Celsius). Drücken Sie die Taste **SELECT**, um Grad F (Fahrenheit) zu wählen. Sie können zudem den Steckeradapter AMD 9024 (optional erhältlich) mit Bananenpins an den Eingang des Typs K verwenden, so dass auch andere Standard-Temperaturfühler-Minstecker des Typs K angeschlossen werden können.

Halten

Mit der Funktion Halten kann die Displayanzeige zur späteren Ansicht gehalten werden. Drücken Sie die Taste **HOLD**, um diese Funktion ein- oder auszuschalten. Der Anzeiger "**H**" leuchtet auf.

MAX

Die Funktion MAX vergleicht und zeigt die gemessenen Höchstwerte innerhalb von 30 ms an, wobei eine automatische Bereichseinstellung möglich ist. Somit kann das Messgerät in der Stromfunktion Einschaltströme erfassen. Halten Sie die Taste **MAX** 

mindestens eine Sekunde gedrückt, um diese Funktion ein- oder auszuschalten. Die Anzeiger "MAX" und "H" leuchten auf.

Modus Relativer Nullpunkt Δ

Der Modus relativer Nullpunkt Δ gibt dem Benutzer die Möglichkeit, momentane Ablesewerte als Referenzwerte für aufeinanderfolgende Messungen zu bestimmen. Das Display zeigt die Messwerte nun im Vergleich zu den gespeicherten Referenzwerten an. D.h. Anzeige = Messwert - gespeicherter Wert. Drücken Sie die Taste Δ , um zum Modus Relativer Nullpunkt zu schalten. Der Warnmelder " Δ " leuchtet auf. Das Messgerät geht, wenn möglich, in den Modus manuelle Bereichseinstellung über. Der Warnmelder "AUTO" erlischt.

Display mit Hintergrundbeleuchtung

Drücken Sie die Taste **SELECT** mindestens eine Sekunde lang, um die Hintergrundbeleuchtung des Displays ein- und auszuschalten.

Auto-Power-Off (APO)

Wenn das Messgerät eingeschaltet ist, versetzt der automatische Abschaltmodus (APO) für längere Batterieleistung das Messgerät in Bereitschaft, wenn ca. 30 Minuten lang weder ein Schiebeschalter noch ein Druckschalter betätigt wurde. Um das Messgerät wieder zu aktivieren, können Sie jede Drucktaste drücken oder den Schiebeschalter auf OFF stellen und das Gerät wieder einschalten. Stellen Sie den Schiebeschalter immer manuell auf OFF, wenn Sie das Gerät nicht verwenden.

5 Spezifikationen

Display:	3-3/4 Ziffern bis 4000 (LCD-Display)
Updaterate:	3 pro Sekunde (Nennwert)
Polarität:	automatisch
Geringer Batterieladestand:	unter ca. 2,4 V
Betriebstemperatur:	0°C bis 40°C
Relative Luftfeuchtigkeit:	Maximale relative Luftfeuchtigkeit 80% bei einer Temperatur bis 31°C und bei linearem Abfall bis auf 50% der relativen Luftfeuchtigkeit bei 40°C
Meereshöhe:	Betrieb unter 2000 m
Lagertemperatur:	-20°C ~ 60°C, < 80% rel. LF (Akku entnommen)
Temperaturkoeffizient:	Nennwert 0,15 x (Genauigkeit laut Spezifikation)/°C bei (0°C - 18°C oder 28°C - 40°C) oder wie sonst spezifiziert
Erfassung:	Tatsächlicher Effektivwert
Sicherheit:	Erfüllt IEC/UL/EN61010-1 Ed. 3.0, IEC/EN61010-2-032 Ed. 3.0, IEC/EN61010-2-033 Ed. 1.0, IEC/UL/EN61010-031 Ed. 1.1 und CAN/CSA-C22.2 No. 61010-1-12 Ed. 3.0.
Kategorie:	CAT III, 600V AC und DC
Transientenschutz:	6,5 kV (1,2/50µs Spitzen)
Verschmutzungsgrad:	2
EMV:	Erfüllt EN61326-1:2006 (EN55022, EN61000-3-2, EN61000-3-3, EN61000-4-2, EN61000-4-3, EN61000-4-4, EN61000-4-5, EN61000-4-6, EN61000-4-8, EN61000-4-11)
in einem Hochfrequenzfeld von 3 V/m:	Kapazitätsfunktionen nicht spezifiziert
Weitere Funktionsbereiche:	Genauigkeit gesamt = spezifizierte Genauigkeit + 50 Ziffern (d) Leistung über 3 V/m wurde nicht spezifiziert
Überlastschutz:	
Zangenbacken:	400 A Eff fortlaufend DC/AC
+ und COM-Anschlüsse (alle Funktionen):	600 V DC/V AC Eff
Stromversorgung:	Standard 1,5 V AAA (NEDA 24G oder IEC R03) Batterie x 2; oder 1,5V AAA (NEDA 24A oder IEC LR03) Alkali-Batterie x 2
Leistungsaufnahme:	11 mA (normal) für Strom AC/DC und 2,9 mA (normal) für andere Funktionen bei Inaktivität ab 30 Minuten
APO-Timer:	
Verbrauch automatische Abschaltung:	190 µA (normal)
Abmessung:	LxBxH 188 mm x 63 mm x 40 mm
Gewicht:	ca. 218 g
Durchmesser der Leitung und der geöffneten Zange:	max. 30 mm

Zubehör: Prüflitungspaar, Batterien vorhanden,
Benutzerhandbuch, weicher Tragebeutel und
Bananenstecker-Thermoelement Typ K

Optionale Zubehörteile: Steckeradapter AMD 9024 mit Bananenpins

Elektrische Spezifikationen

Die Genauigkeit beträgt \pm (% Ziffern des Ablesewerts + Anzahl der Ziffern) wenn nicht anders spezifiziert, bei $23^{\circ}\text{C} \pm 5^{\circ}\text{C}$ und unter 75% rel. LF

Die Genauigkeit des tatsächlichen Effektivwerts für Wechselspannung und Wechselstrom (mit Zange) werden von 5 % bis 100 % des Messbereichs angegeben, wenn nicht anders spezifiziert. Der Höchstwert des Crest-Faktors wie unten spezifiziert, im Frequenzspektrum, außer Basisfrequenz, fallen sie unter die AC-Bandbreite für nicht Sinus-Wellenformen. Als Basisfrequenz gilt 50Hz und 60Hz.

Gleichspannung

Messbereich	Genauigkeit
400 mV	0,3 % + 3 d
4 V, 40 V, 400 V	0,5 % + 3 d
600 V	1,0 % + 4 d

Eingangsimpedanz: 10 M Ω , 30 pF Nennwert (1000 M Ω für den 400 mV-Bereich)

Wechselspannung

Messbereich	Genauigkeit
50 Hz ~ 60 Hz	
4 V, 40 V, 400 V	1,0 % + 4 d
60 Hz ~ 500 Hz	
4 V, 40 V, 400 V	1,5 % + 4 d
50 Hz ~ 500 Hz	
600 V	2,0 % + 4 d

Eingangsimpedanz: 10M Ω , 30 pF (Nennwert)

Crest-Faktor des tatsächlichen Effektivwerts:

< 2 : 1 volle Skala und < 4 : 1 halbe Skala

Ohm

Messbereich	Genauigkeit
400 Ω	0,8 % + 6 d
4 Ω , 40 k Ω , 400 k Ω	0,6 % + 4 d
4 M Ω	1,0 % + 4 d
40 M Ω	2,0 % + 4 d

Leerlaufspannung: 0,4 V DC (normal)

Akustische Durchgangsprüfung

Leerlaufspannung: 0,4 V DC (normal)

Bereich: 400 Ω ; Genauigkeit: 1,5 % + 8 d

Hörschwelle: zwischen 10 Ω und 120 Ω

Diodenprüfung

Leerlaufspannung: 1,6 V DC (normal)

Prüfstrom: 0,4 mA (normal)

Kapazität

Bereich ¹⁾	Genauigkeit ^{2) 3)}
500 nF, 5 μ F, 50 μ F, 500 μ F, 3000 μ F	3,5 % + 6 d

¹⁾zusätzliche 50 nF Bereichsgenauigkeit nicht spezifiziert

²⁾Genauigkeitswerte mit Folienkondensator oder besser

³⁾Spezifikation bei Batteriespannung über 2,8 V (Batterie ca. halbvoll). Die Genauigkeit nimmt allmählich bis auf 12 % bei geringem Batterieladestand von ca. 2,4 V ab.

Gleichstrom (Zange angebracht)

Messbereich	Genauigkeit ^{1) 2)}
400 A	
0 A ~ 50 A	1,0 % + 4 d
50 A ~ 200 A	1,5 % + 5 d
200 A ~ 300 A	2,0 % + 5 d
300 A ~ 400 A	2,5 % + 5 d

¹⁾Induzierter Fehler von nächstem stromführenden Leiter: < 0,01 A/A

²⁾Der Modus Relativer Nullpunkt Δ wird angewendet, um eventuell vorhandene Restablesewerte ungleich Null auszugleichen

Wechselstrom (Zange angebracht)

Messbereich	Genauigkeit ¹⁾
400 A	
40 Hz ~ 60 Hz bei 0 ~ 50 A	1,0 % + 6 d
60 Hz ~ 400 Hz bei 0 ~ 50 A	1,5 % + 5 d
40 Hz ~ 60 Hz bei 50 ~ 200 A	1,5 % + 5 d
60 Hz ~ 200 Hz bei 50 ~ 200 A	2,0 % + 5 d
40 Hz ~ 60 Hz bei 200 ~ 300 A	2,0 % + 5 d
40 Hz ~ 60 Hz bei 300 ~ 400 A	2,5 % + 5 d

¹⁾Induzierter Fehler von nächstem stromführenden Leiter: < 0,01 A/A

Crest-Faktor des tatsächlichen Effektivwerts:

< 1,8 : 1 volle Skala und < 3,6 : 1 halbe Skala

Frequenz

Funktion	Empfindlichkeit (Sinusschwingung)	Messbereich
400 mV	350 mV	10 Hz ~ 1 kHz
4 V	3,2 V	5 Hz ~ 20 kHz
40 V	25 V	5 Hz ~ 100 kHz
400 V	100 V	5 Hz ~ 100 kHz
600 V	410 V	5 Hz ~ 5 kHz
Strom DC/AC	nicht spezifiziert	

Displayzähler: bis 5000

Maximale Auflösung: 0,001 Hz

Genauigkeit: 0,5 % + 4 d

Temperatur Typ K

Messbereich	Genauigkeit
-20 °C ~ 300 °C	2,0 % + 3 d
300 °C ~ 537 °C	3,0 % + 3 d
-4 °F ~ 572 °F	2,0 % + 6 d
572 °F ~ 1000 °F	3,0 % + 6 d

Bereich und Genauigkeit für Thermoelement Typ K nicht vorhanden

6 Wartung

WARNUNG

Um einen elektrischen Schlag zu vermeiden ist das Messgerät stets vom Stromkreis zu trennen, müssen die Testkabel von den Eingangsbuchsen gelöst und das Messgerät vor Öffnung des Gehäuses ausgeschaltet werden. Betreiben Sie das Messgerät nicht bei geöffnetem Gehäuse.

Fehlerbehebung

Wenn das Messgerät nicht funktioniert, prüfen Sie die Batterie, die Prüflleitungen etc. und sorgen Sie für Ersatz, wenn erforderlich. Führen Sie einen Doublecheck des Betriebsvorgangs laut diesem Handbuch aus.

Wenn das Messgerät am Spannung/Widerstand-Eingangsanschluss (durch Blitz oder Spannungsspitzen am System) versehentlich hohen Spannungstransienten oder anormalen Betriebsbedingungen ausgesetzt wurde, werden die Schmelzwiderstände (ähnlich einer Sicherung) ausgelöst (Hochimpedanz), um den Benutzer und das Messgerät zu schützen. Die meisten Messfunktionen dieses Anschlusses laufen dann im offenen Schaltkreis. Die Schmelzwiderstände und die Funkenstrecken sollten von einem qualifizierten Techniker ersetzt werden. Im Abschnitt HERSTELLERGARANTIE finden Sie Angaben zur Garantie und zum Reparaturservice.

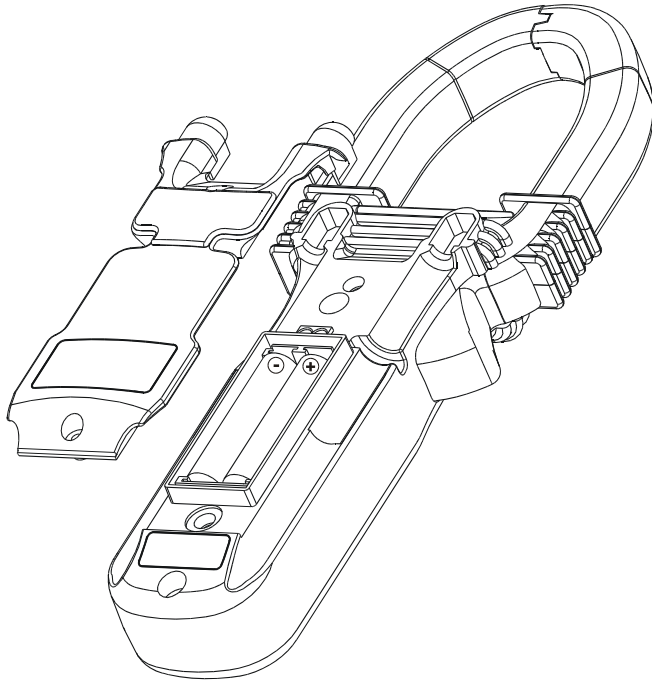
Reinigung und Lagerung

Wischen Sie das Gehäuse regelmäßig mit einem feuchten Lappen und einem leichten Reinigungsmittel ab, verwenden Sie dabei keine Scheuer- bzw. Lösungsmittel. Wenn das Messgerät über einen Zeitraum von mehr als 60 Tage nicht benutzen, entfernen Sie die Batterien und lagern Sie sie getrennt.

Batterien austauschen

Das Messgerät verwendet die Standardgröße 1,5V AAA (NEDA 24A oder IEC LR03) x 2

Lösen Sie die 2 Schrauben von der Batteriegehäuseabdeckung. Heben Sie die Abdeckung hoch. Tauschen Sie die Batterien aus. Bringen Sie die Abdeckung wieder an. Ziehen Sie die Schrauben wieder fest.



EINGESCHRÄNKTE GARANTIE

Bei sorgfältiger Behandlung und Beachtung der Bedienungsanleitung gewährleistet der Hersteller Metrel 2 Jahre Garantie ab Kaufdatum.

Wir verpflichten uns, das Gerät kostenlos instand zu setzen, soweit es sich um Material- oder Konstruktionsfehler handelt. Instandsetzungen dürfen nur ausschließlich von autorisierten Metrel Service-Stationen mit freigegebenem Reparaturauftrag durchgeführt werden.

Weitere Ansprüche sind ausgeschlossen.

Schäden, die sich aus der unsachgemäßen Benutzung des Gerätes ergeben, werden nicht ersetzt.

Innerhalb der ersten 2 Jahre ab Kaufdatum, beseitigen wir, die als berechtigt anerkannten Mängel, ohne Abrechnung der entstandenen Nebenkosten.

Die Kostenübernahme ist vorher zu klären.

Die Einsendung des Gerätes muss in jedem Fall unter Beifügung des Kaufbeleges erfolgen.

Ohne Nachweis des Kaufdatums erfolgt eine Kostenanrechnung ohne Rückfrage. Die Rücksendung erfolgt dann per Nachnahme.

Kaufbeleg bitte unbedingt aufbewahren! Kaufbeleg ist gleich Garantieschein!

Von der Gewährleistung/Garantie ausgeschlossen sind:

- Unsachgemäßer Gebrauch, wie z.B. Überlastung des Gerätes oder Verwendung von nicht zugelassenen Zubehör
- Gewaltanwendung, Beschädigung durch Fremdeinwirkungen oder durch Fremdkörper, z.B. Wasser, Sand oder Steine
- Schäden durch Nichtbeachtung der Gebrauchsanleitung, z.B. Anschluss an eine falsche Netzspannung oder Stromart oder Nichtbeachtung der Aufbauanleitung
- Gewöhnlicher/normaler Verschleiß/Verbrauch
- und alle anderen von außen auf das Gerät einwirkenden Ereignisse, die nicht auf den gewöhnlichen Gebrauch/Nutzung zurückzuführen sind.
- Verschleiß-/Verbrauchsmaterialien wie z.B. Trageriemen, Kunststoffteile
- Zubehör, Sicherungen, Sicherungswiderstände, Funkenstrecken, Batterien oder jedes Produkt, das nach Meinung von METREL missbräuchlich verwendet, verändert, vernachlässigt oder versehentlich oder durch abnorme Betriebsbedingungen oder Behandlung beschädigt worden ist.

DIESE GARANTIE GILT AUSSCHLIESSLICH UND TRITT AN DIE STELLE ALLER ANDEREN – AUSDRÜCKLICHEN ODER STILLSCHWEIGENDEN – GARANTIEN, EINSCHLIESSLICH, ABER NICHT BESCHRÄNKT AUF, ALLE MÄNGEL- ODER GEBRAUCHSTAUGLICHKEITSGARANTIEN FÜR EINEN BESONDEREN ZWECK ODER GEBRAUCH. METREL IST NICHT HAFTBAR FÜR ALLE BESONDEREN, INDIREKTEN, NEBEN- ODER FOLGESCHÄDEN.



GEDRUCKT AUF RECYCLINGPAPIER, BITTE WIEDERVERWERTEN

